

MARGO™ 5201 Shelf

bdiusa.com
customerservice@bdiusa.com



Product Registration

Registering your new BDI product allows us to send you important product updates, service information and helpful hints related to your BDI products. Register today, and you will be entered to win free a BINK table from BDI: www.bdiusa.com/register

Placement and Maintenance

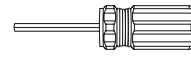
Your Margo Shelf is designed for indoor use on level floors. Clean wood veneer and steel parts with a moist cloth.

Margo is engineered for easy assembly. Carefully follow this procedure to prevent any damage. Do not use power tools for assembly of this product.

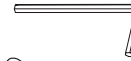
Step 1

This unit ships in 3 cartons (metal frames, cabinet & shelf, and sliding door front) Unpack all cartons and associated hardware bags. Identify the parts listed below. The assembly workspace should be a non-marring surface such as carpet. For missing hardware pieces, contact BDI Customer Service at: customerservice@bdiusa.com. For all other concerns, please contact your BDI retailer.

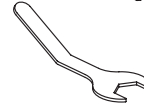
Component List



T1 Hex Driver x 1



T2 Small Hex wrench x 1



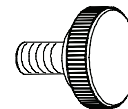
T3 Leveler wrench x 1



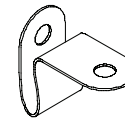
H1 M6 x 38 mm
Pan Head Screw x 12



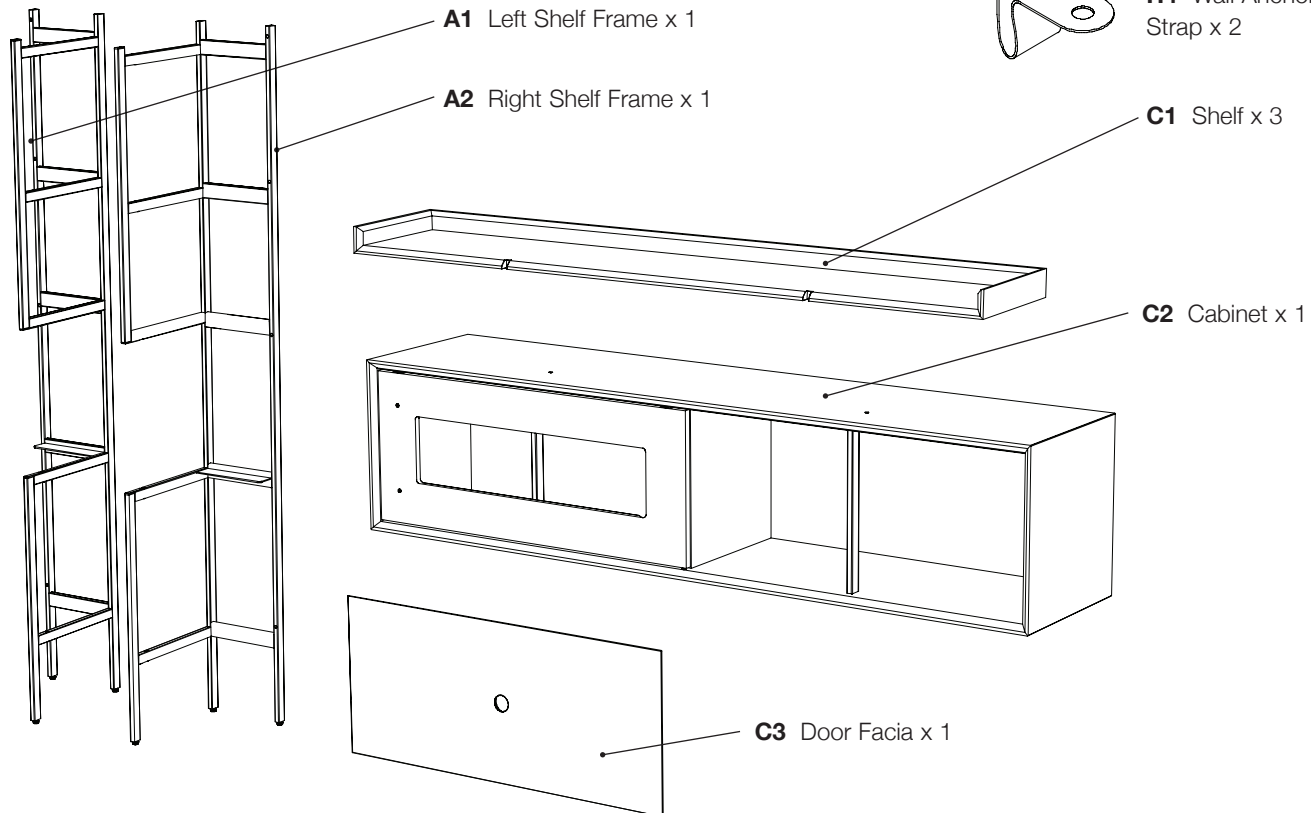
H2 M6 x 12 mm
Pan Head Screw x 2



H3 Thumb Screw x 2



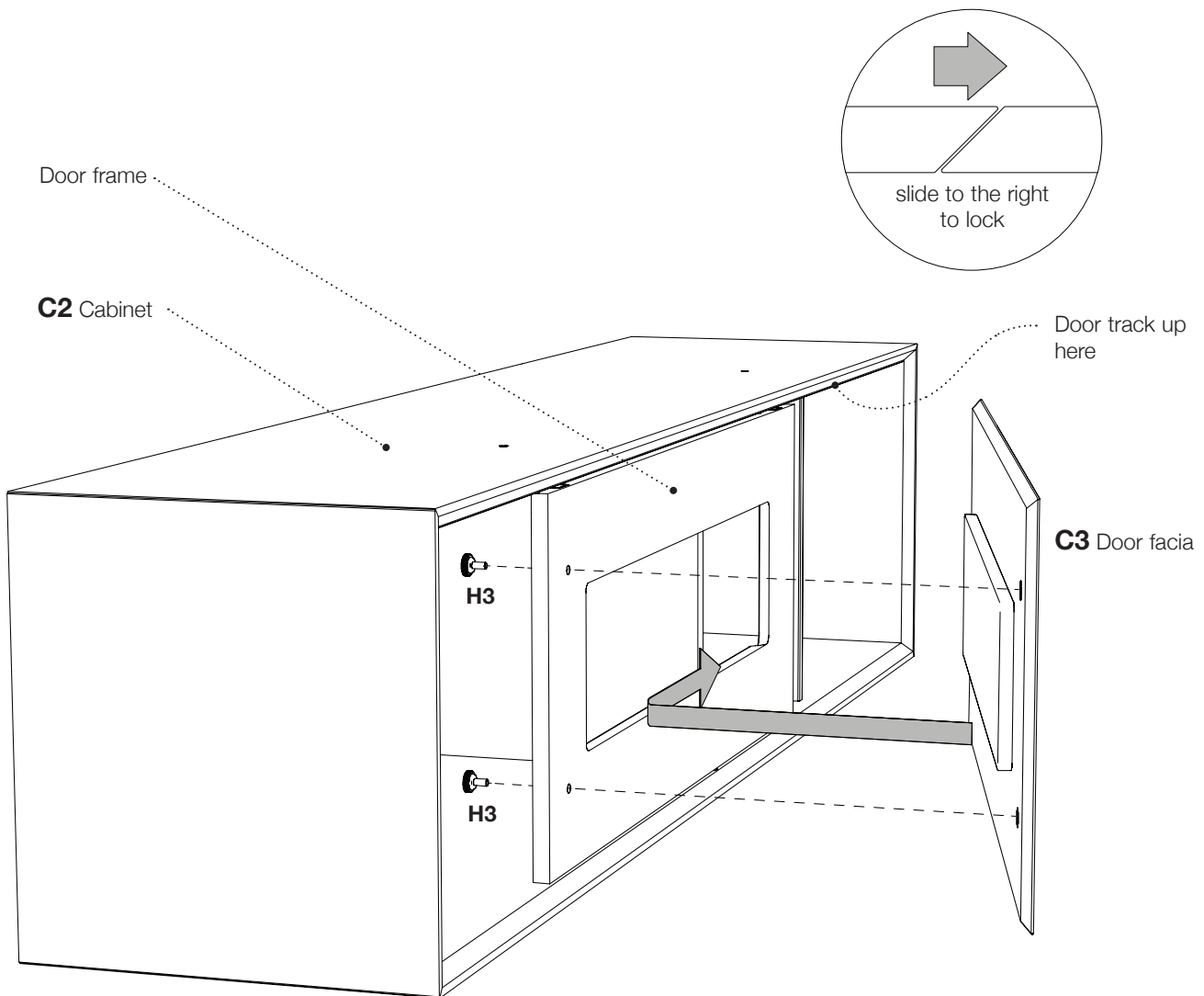
H4 Wall Anchor
Strap x 2



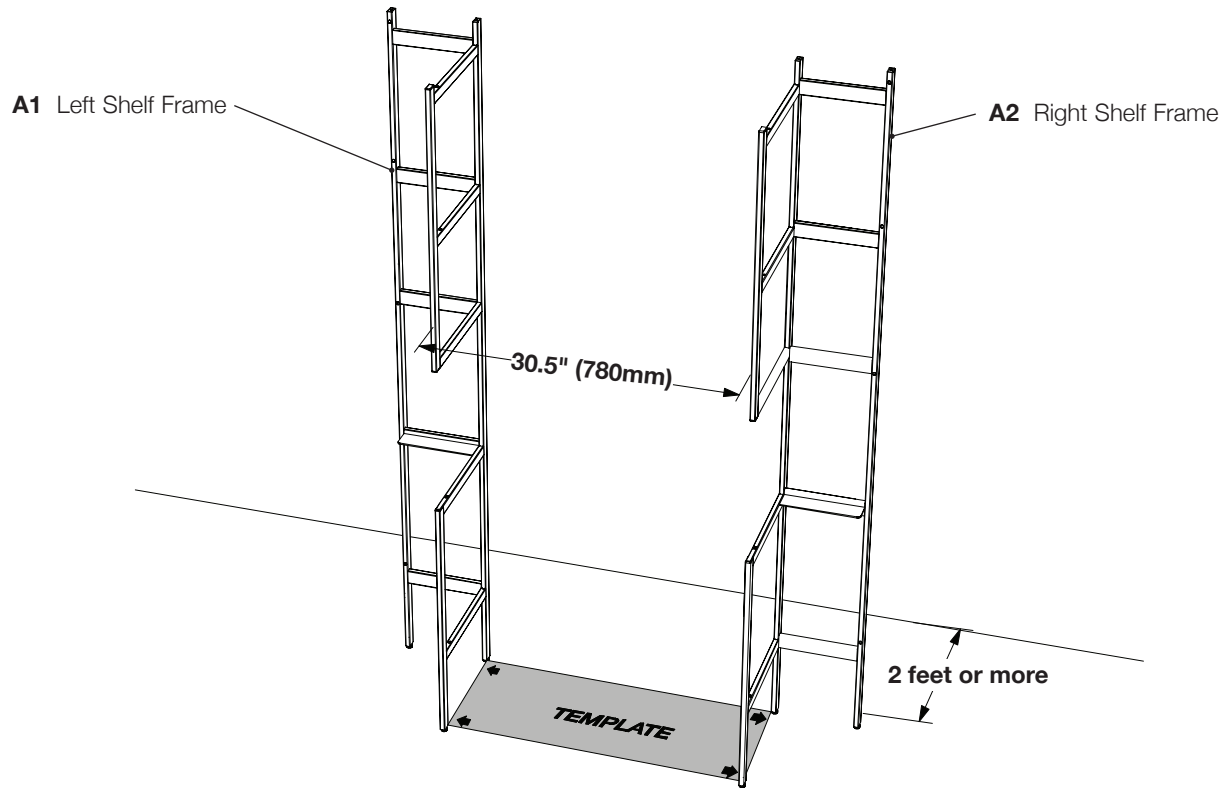
Designed by Jeff Bare.

These distinctive product configurations are protected by US and international patents, trade dress, and/or copyright laws. Margo & BDI are trademarks of Becker Designed, Inc. All rights reserved. ©2019, BDI
Made in China. 8.06.2019 V7

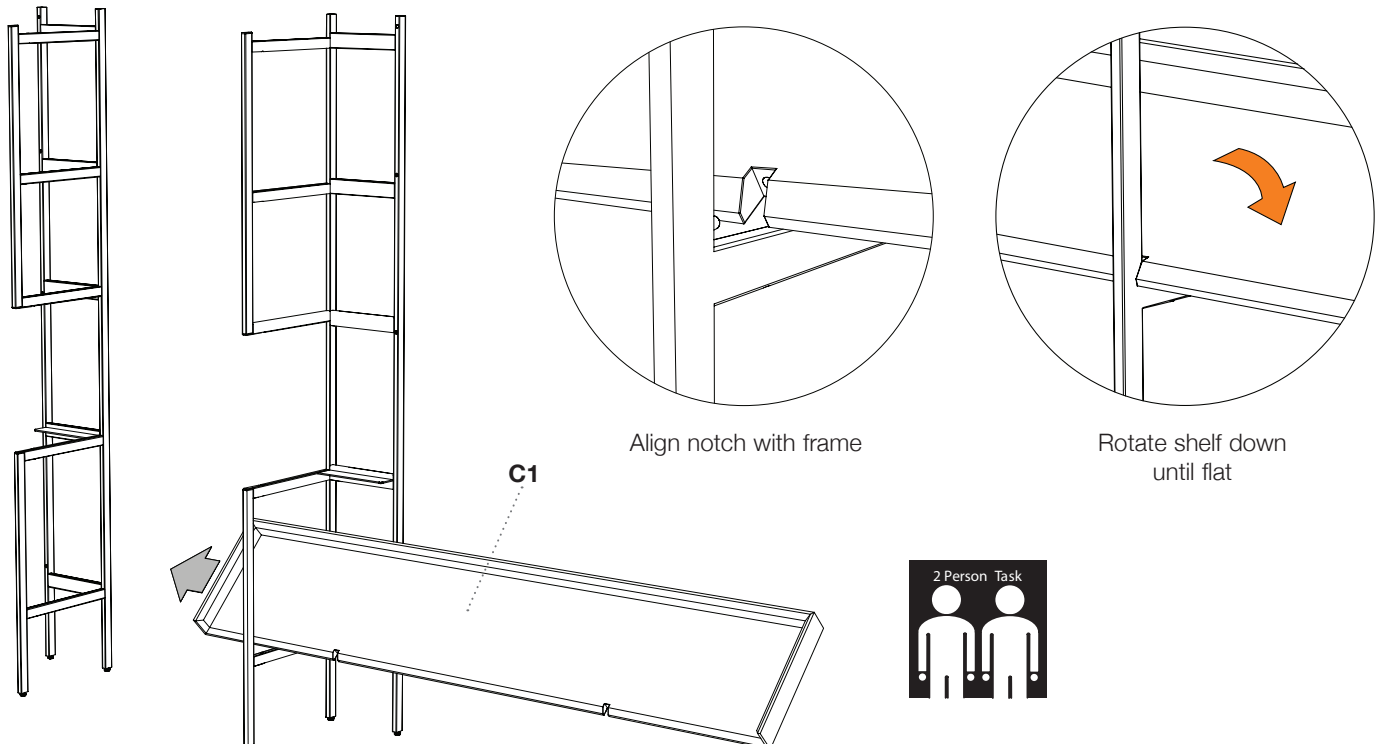
Step 2 - Place the **cabinet C2** on the floor with the sliding door track towards the top front edge. Slide the **door frame** towards the middle. Orient the **door fascia C3** as shown with the **threaded holes behind the left side**. Position the **door fascia C3** into the door frame and shift it to the right while holding the left edge of the door frame to prevent it from sliding. Secure the left side of the door fascia to the door frame with **2 thumb screws H3** going into the holes on the back of the **door frame** and screwing them into the threaded holes on the back of the **door fascia C3**.



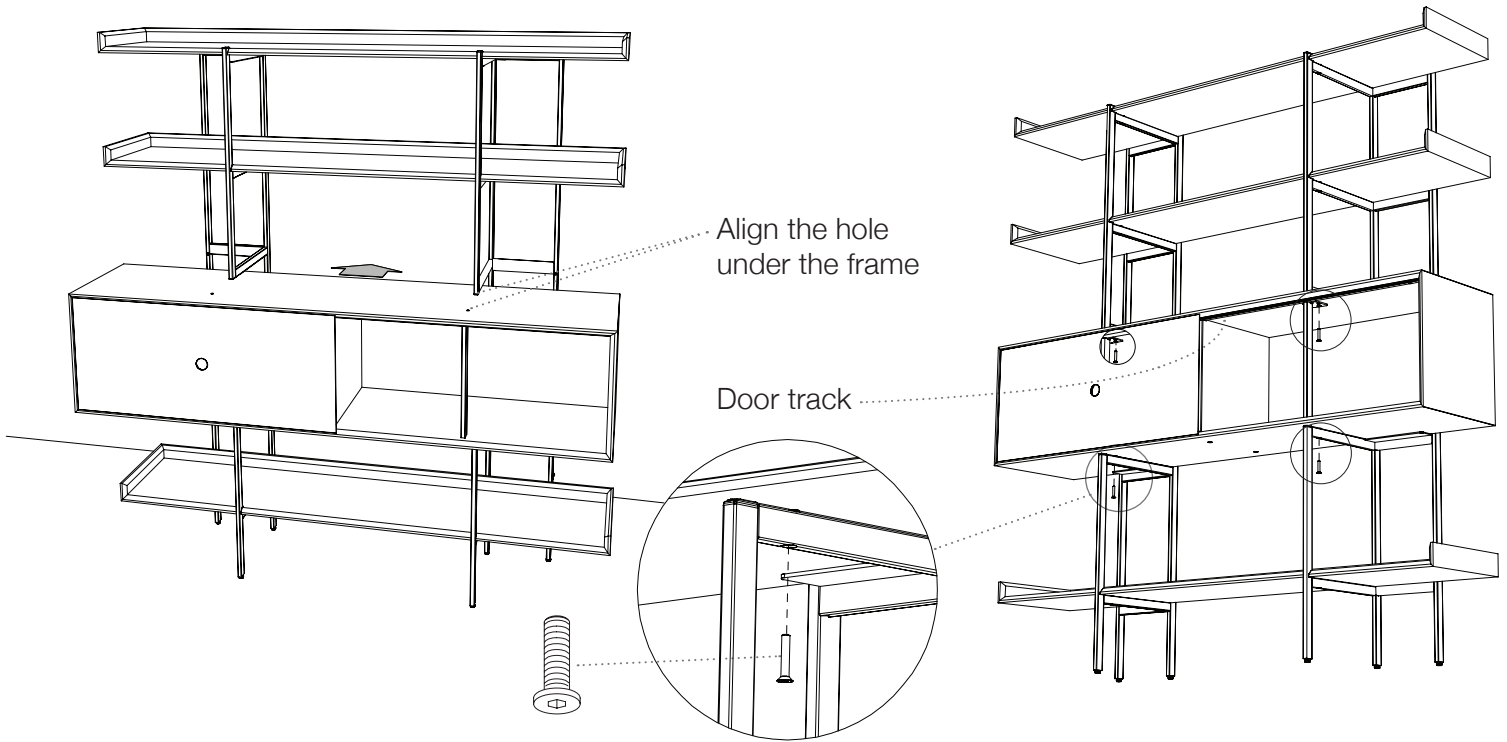
Step 3 - Making sure the levelers are facing down, place **the left and right shelf frames** at least 2' off the wall (to allow space to tighten screws behind the frames) and exactly **30.5" (780mm)** apart from each other as shown. Use the **cardboard template** provided.



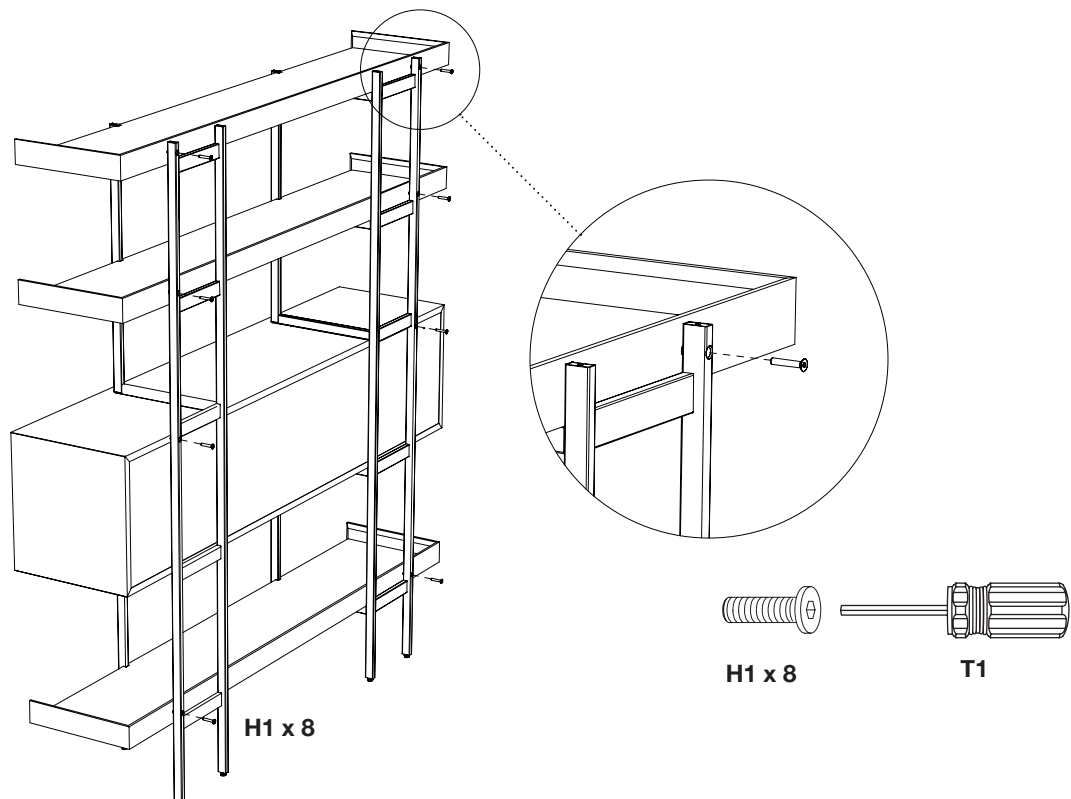
Step 4 - With help from another person carefully tilt the front edge of a **shelf C1** downward 45 degrees and slide it into the lower square opening of the shelf frame as shown until it is centered. Align the notch with the front vertical bars of the frames. Rotate the shelf down until it is flat. **Repeat this step for the 2 upper shelves.**



Step 5 - Make sure the cabinet is oriented right side up with door track on top. With help from another person, carefully slide the cabinet into the opening in the frame and center it so that the 2 holes on top of the cabinet are directly under the frames. Slide the cabinet all the way back and attach to the frame as shown using **4 pan head screws H1** and **hex driver T1**. **DO NOT tighten the screws fully yet.**

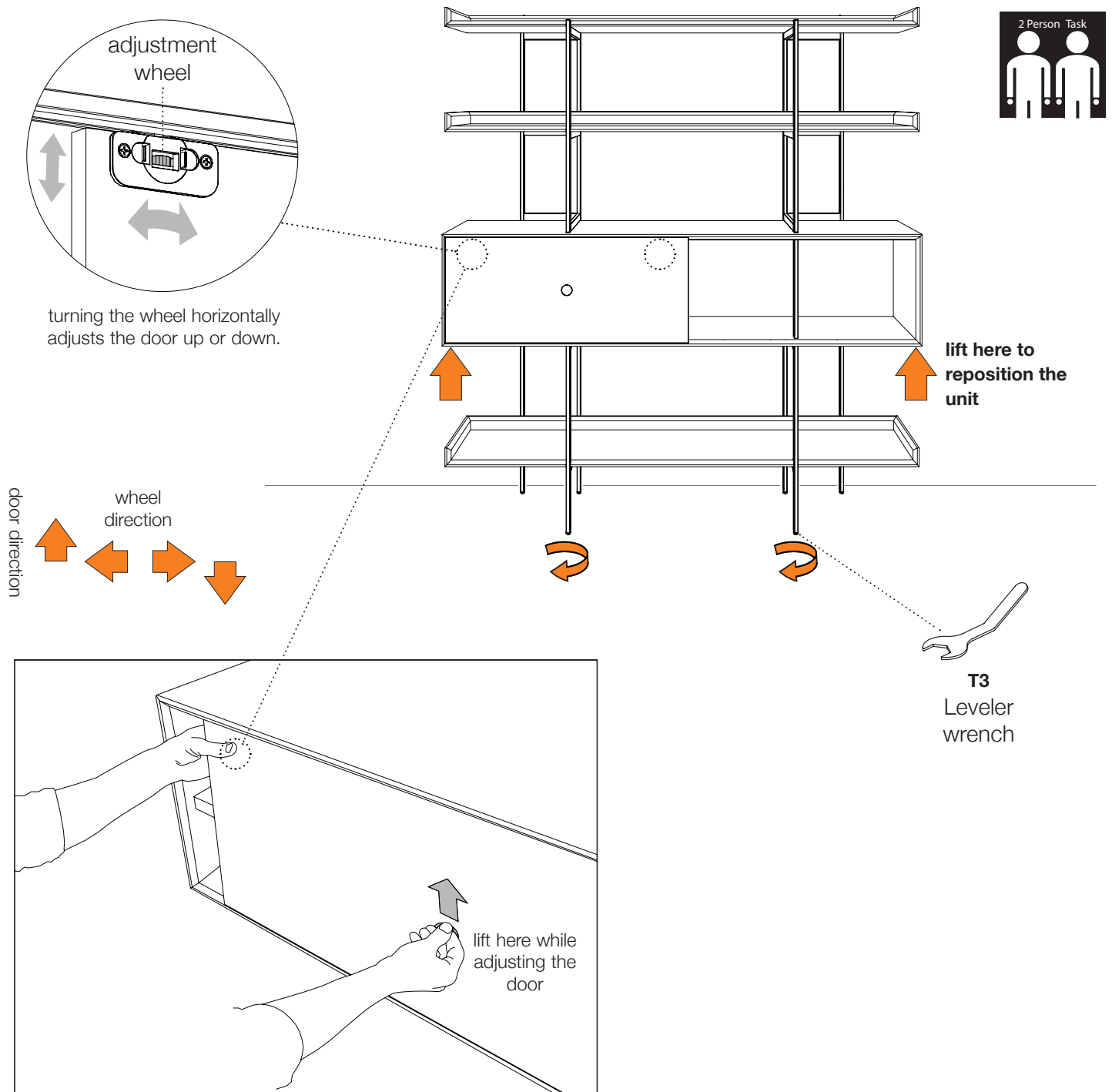


Step 6 - Attach the backs of the 3 shelves and cabinet to the metal frames as shown using **8 pan head screws H1** and **hex driver T1**. **Tighten all screws fully now.**



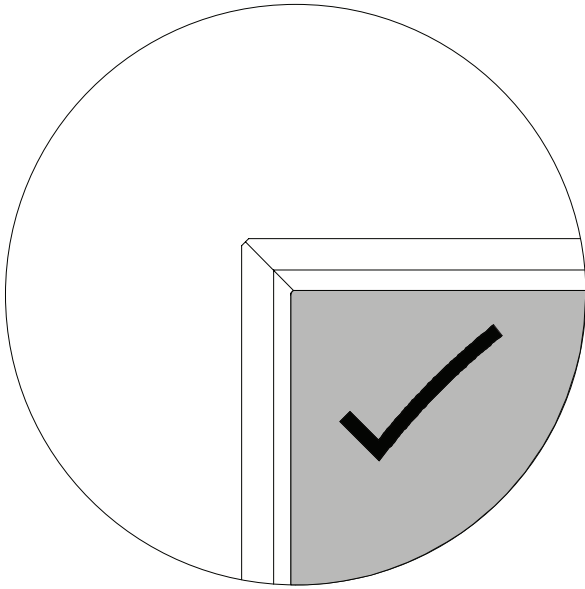
Step 7 - With help from another person, move your Margo shelf next to the wall. Check to make sure your Margo shelf is parallel to the wall. If it is leaning forward use **leveler wrench T3** to turn the levelers under the front legs in the direction indicated below until the unit is level.

Adjust sliding door if needed - If your sliding door is not hanging evenly, or rubs at the top or bottom, it can be adjusted up or down by turning one (or both) **adjustment wheels** inside the cup (located behind each upper corner of the door). To move the door frame **up** turn the wheel towards the **left**. To move the door frame **down**, turn the wheel towards the **right**. Lifting the door frame up with your other hand allows the adjustment wheel to turn more freely.

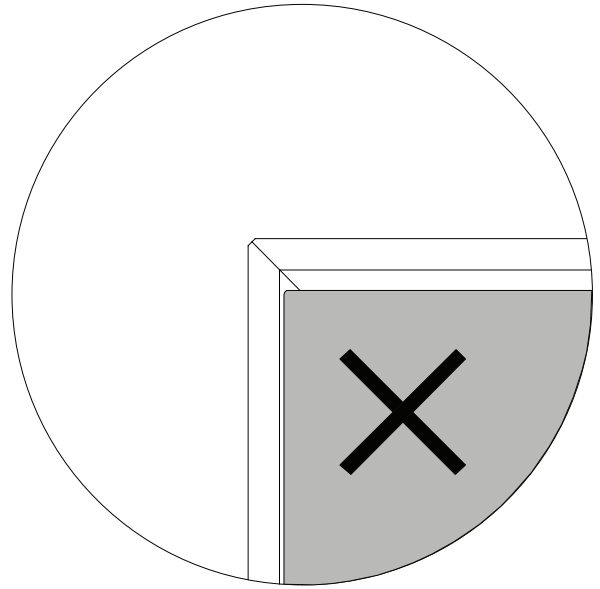


Step 8 - Door Stops

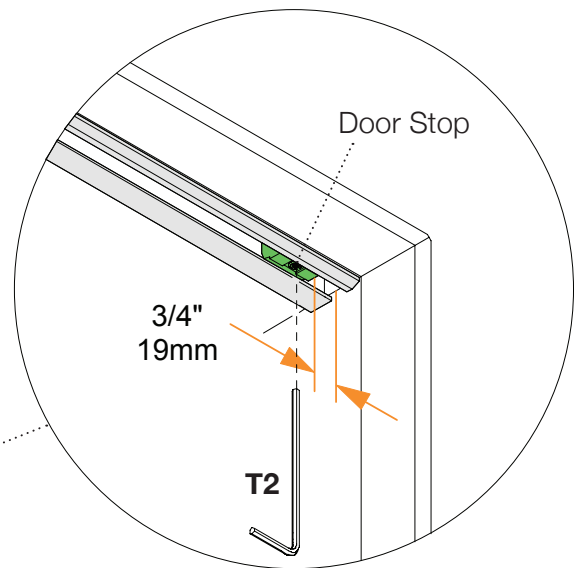
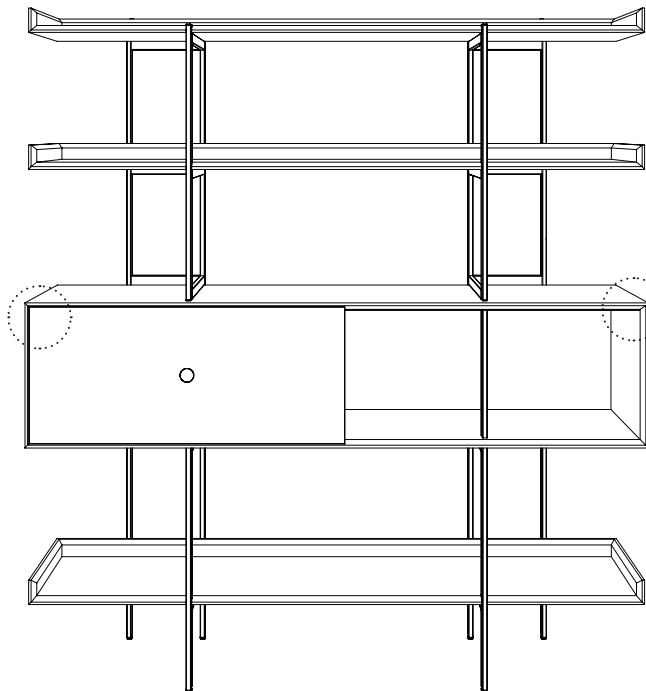
Your Margo Console sliding door has **2 green door stops** located at each end of the upper aluminum track. The door stops are preset to allow the door to stop in the correct position. If your door(s) do not stop at the preset position indicated below, it is likely they may have moved during transit and handling. You will need to reposition and tighten the door stop using **Small Hex Wrench T2**. The end of the door stops should be exactly 19mm (3/4") away from the end of the track.



Correct Door Stop Position



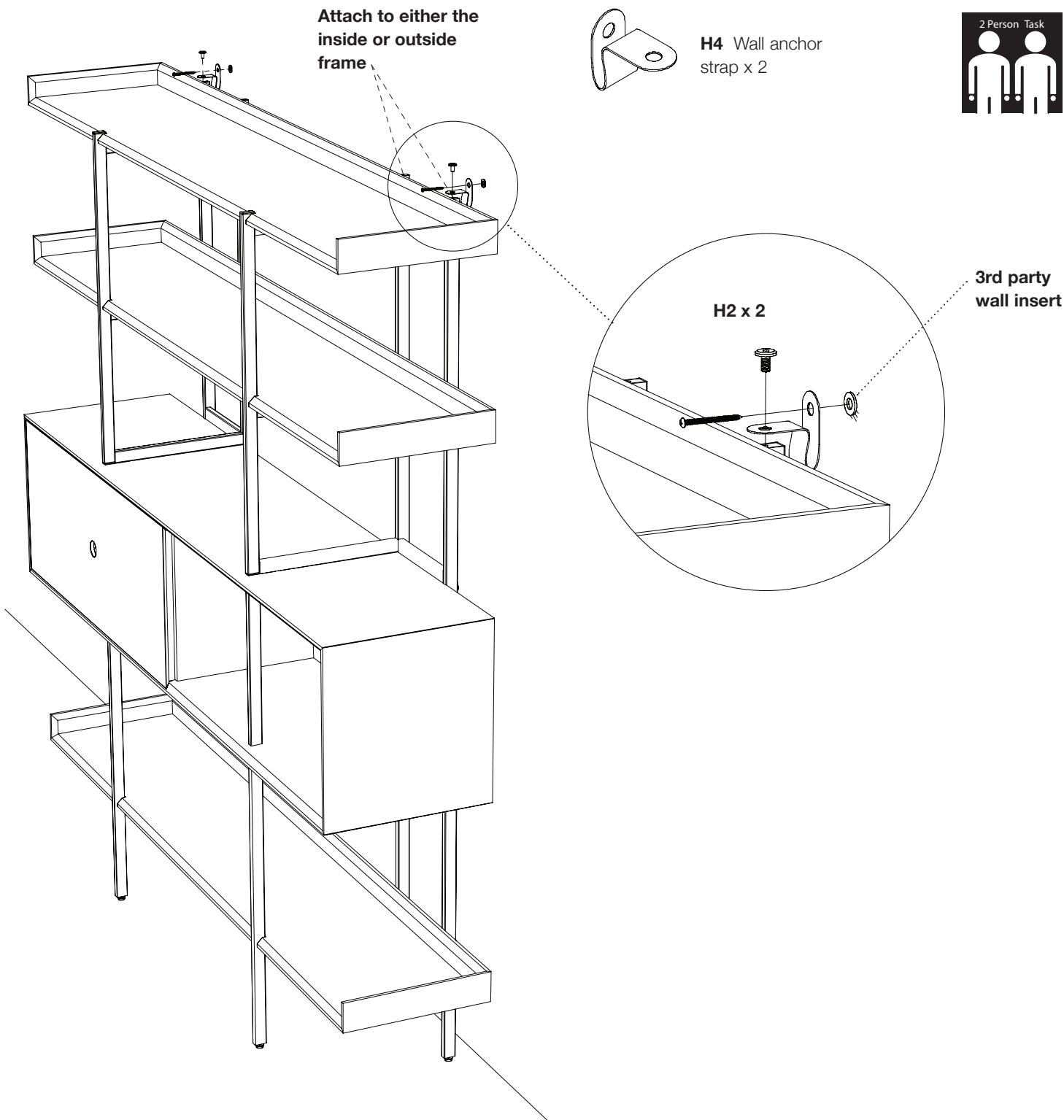
Incorrect Door Stop Position



Edge of green door stop should be 19mm (3/4") away from end of track.

Use Small Hex Wrench T2 to tighten door stop in correct position.

Step 9 - Secure your Margo Shelf to the wall using the supplied **wall anchor strap H4**. Attach the straps to the tops of the back frames (either one) with **pan head screws H2** and **hex driver T1**. Secure the other end of the strap to the wall using an appropriate third party insert and screw made for your wall material.



User Guide:

Warning!

- For safety, the Margo Shelf MUST be attached to the wall.
- Failure to secure your Margo Shelf to the wall could lead to FATAL INJURY.
- NEVER climb the Margo Shelf.
- If you have small children make sure they NEVER climb the Margo Shelf.

Suggestions:

- Use a step ladder to reach items on the top shelf if needed.
- Place heavier objects on the bottom shelves
- The wall anchor straps should be attached behind the upper shelf.
- Enjoy!

