



SECTOR™ 7527

MEDIA CONSOLE



Product Registration

Registering your new BDI product allows us to send you important product updates, service information and helpful hints related to your BDI products. Register today, and you will be entered to win free a BINK table from BDI: www.bdiusa.com/register

bdiusa.com
customerservice@bdiusa.com

Placement and Maintenance

Your Sector Console is designed for indoor use on level floors. Clean textured laminate surfaces and steel parts with a damp cloth.

Sector is engineered for easy assembly. Carefully follow this procedure to prevent any damage. Do not use power tools for assembly of this product.

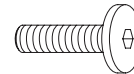
Step 1

Unpack and identify the parts listed below. The assembly workspace should be a non-marring surface such as carpet. For missing hardware pieces, contact BDI Customer Service at: customerservice@bdiusa.com.

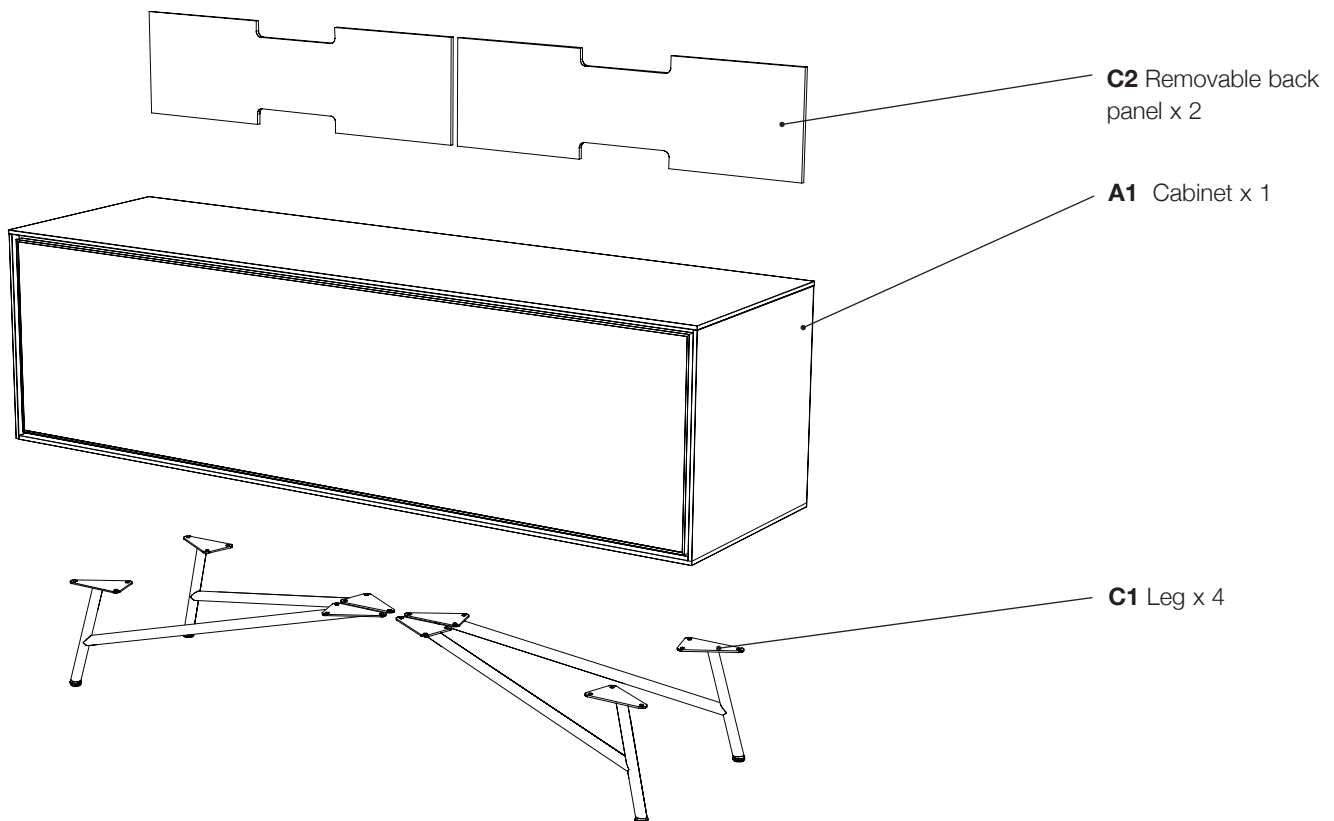
For all other concerns, please contact your BDI retailer.



T1 Hex Wrench x 1



H1 M6 x 25mm Screw x 24

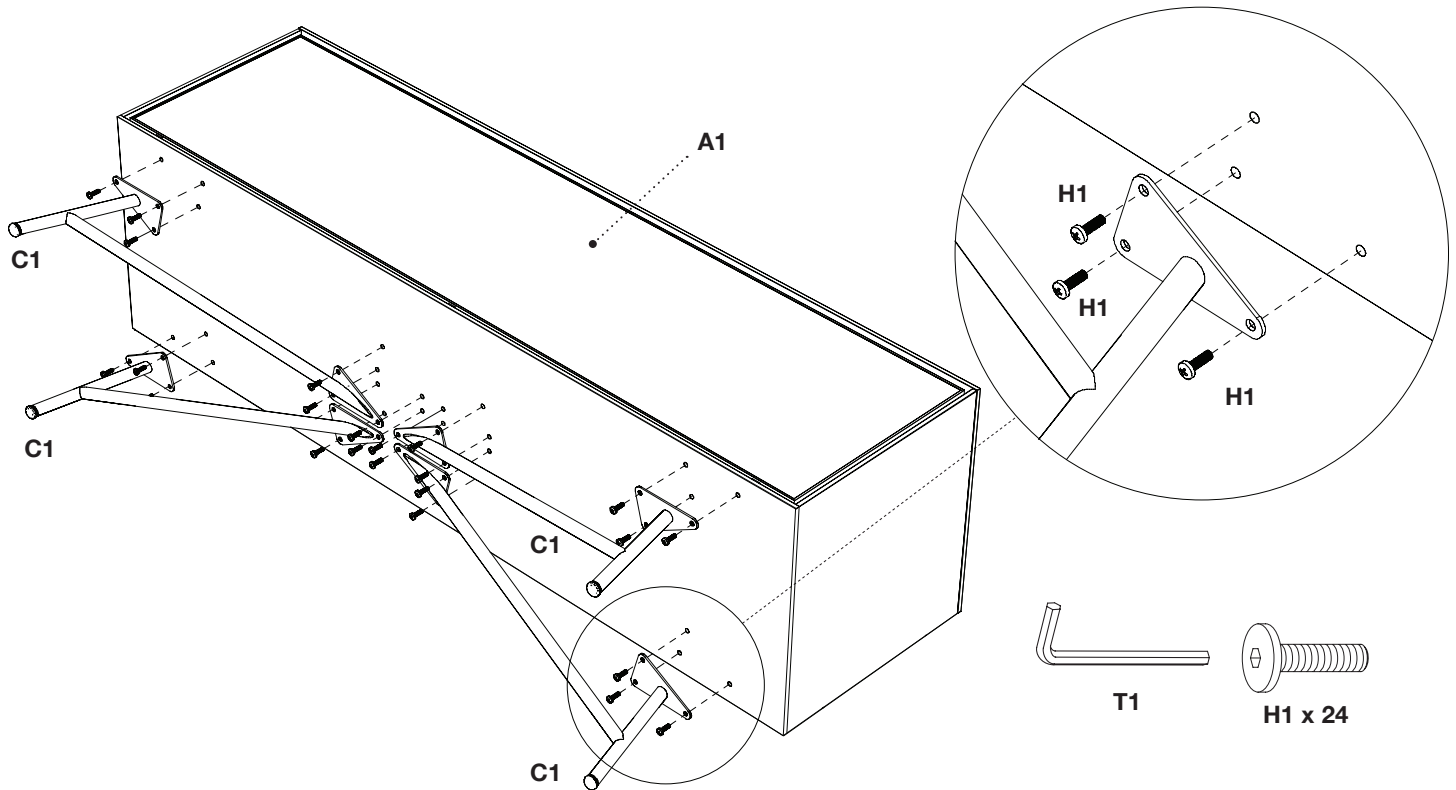


Designed by Matthew Weatherly.

These distinctive product configurations are protected by US and international patents, trade dress, and/or copyright laws. Sector & BDI are trademarks of Becker Designed, Inc. All rights reserved. ©2019, BDI
Made in Turkey. 06.06.2019

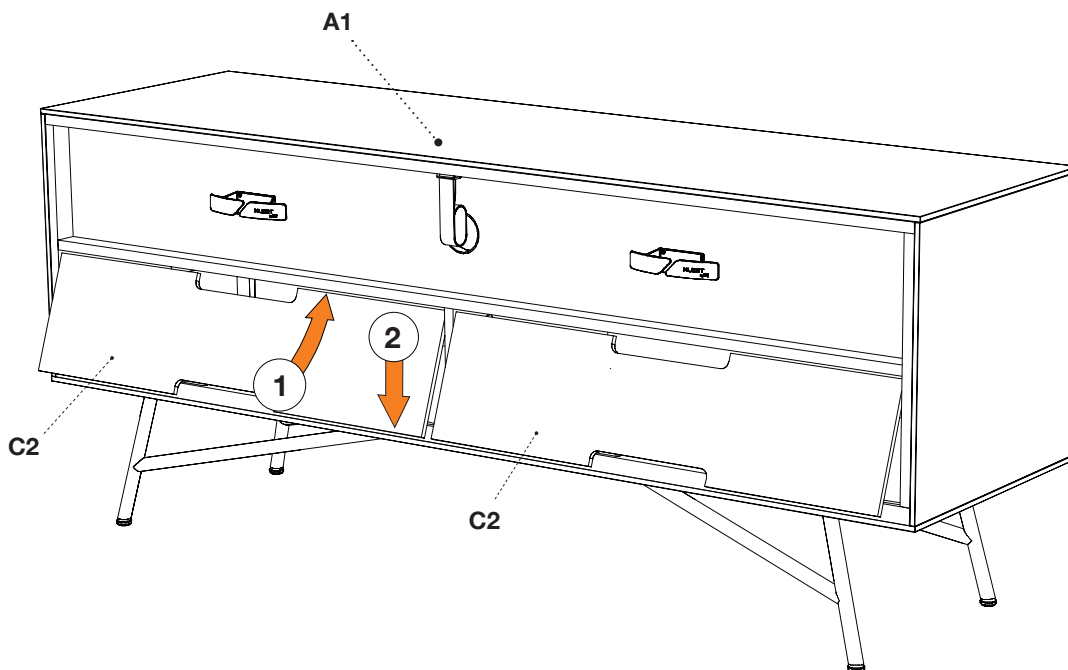
Step 2 - Attach the legs

Carefully position the **cabinet A1** on its back. Attach the **4 legs C1** to the bottom of the cabinet using **screws H1** and tighten with **hex wrench T1**.



Step 3 - Place on feet / Install removeable back panels

With help from another person, carefully position the cabinet onto its feet. Install both removable **back panels C2** to the backside of the cabinet by inserting top edge in upper channel then tipping bottom edge forward and into lower channel.

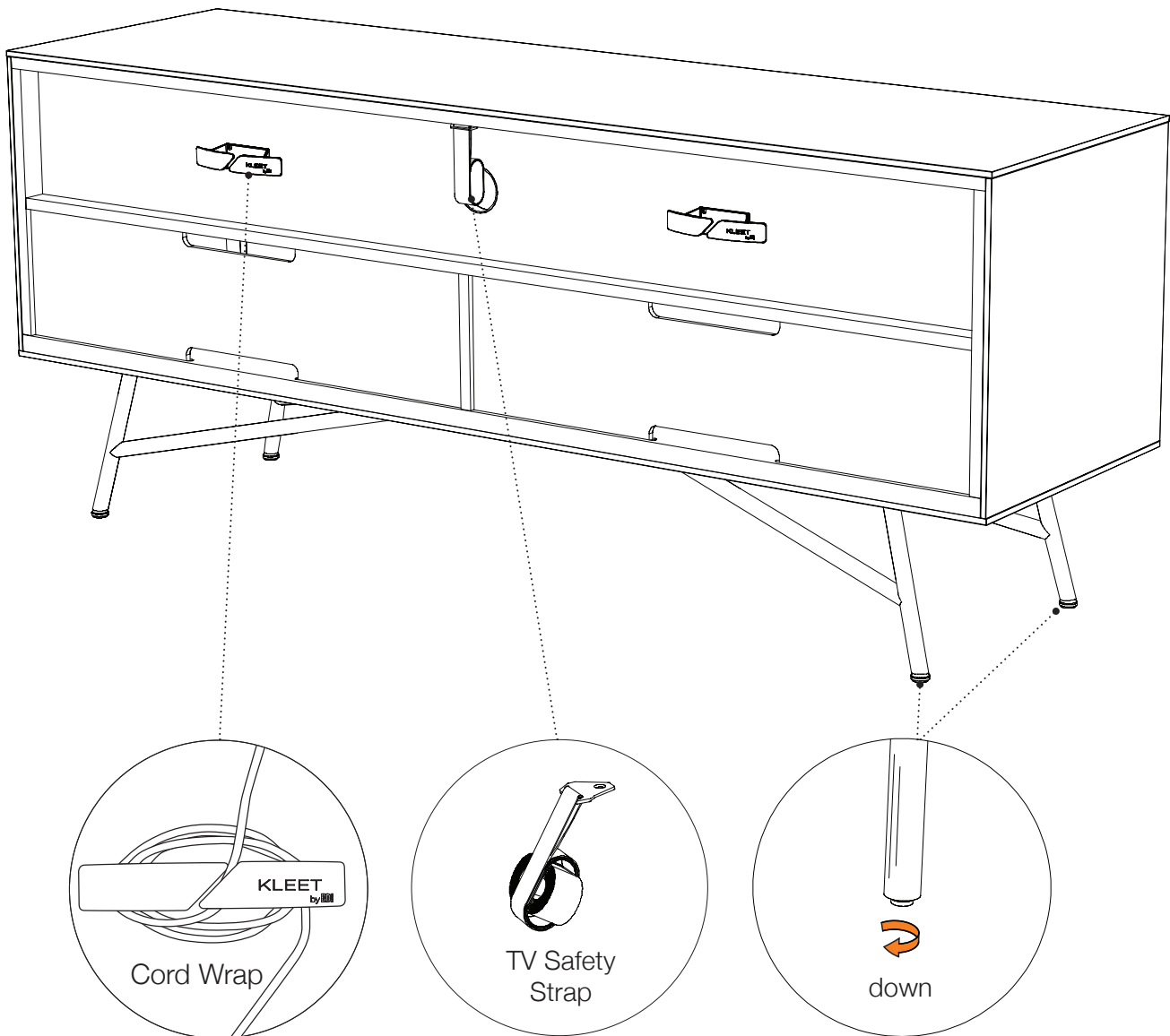


Step 4 Level the unit

Check to make sure your Sector Media Console is level. Levelers are located underneath each leg and can be dialed up or down to level the unit if necessary (see below).

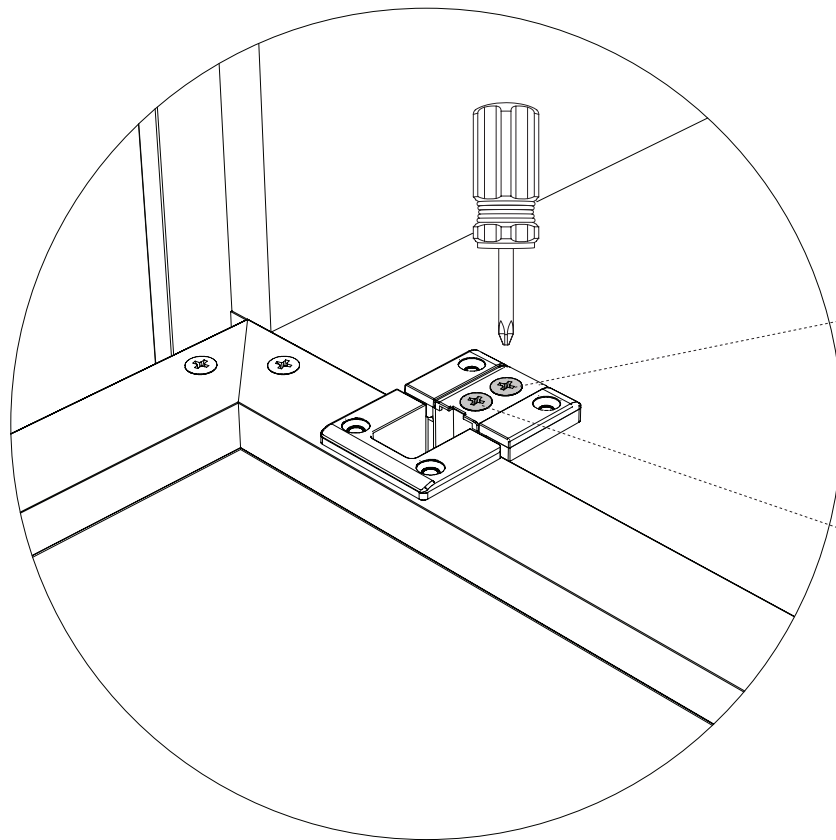
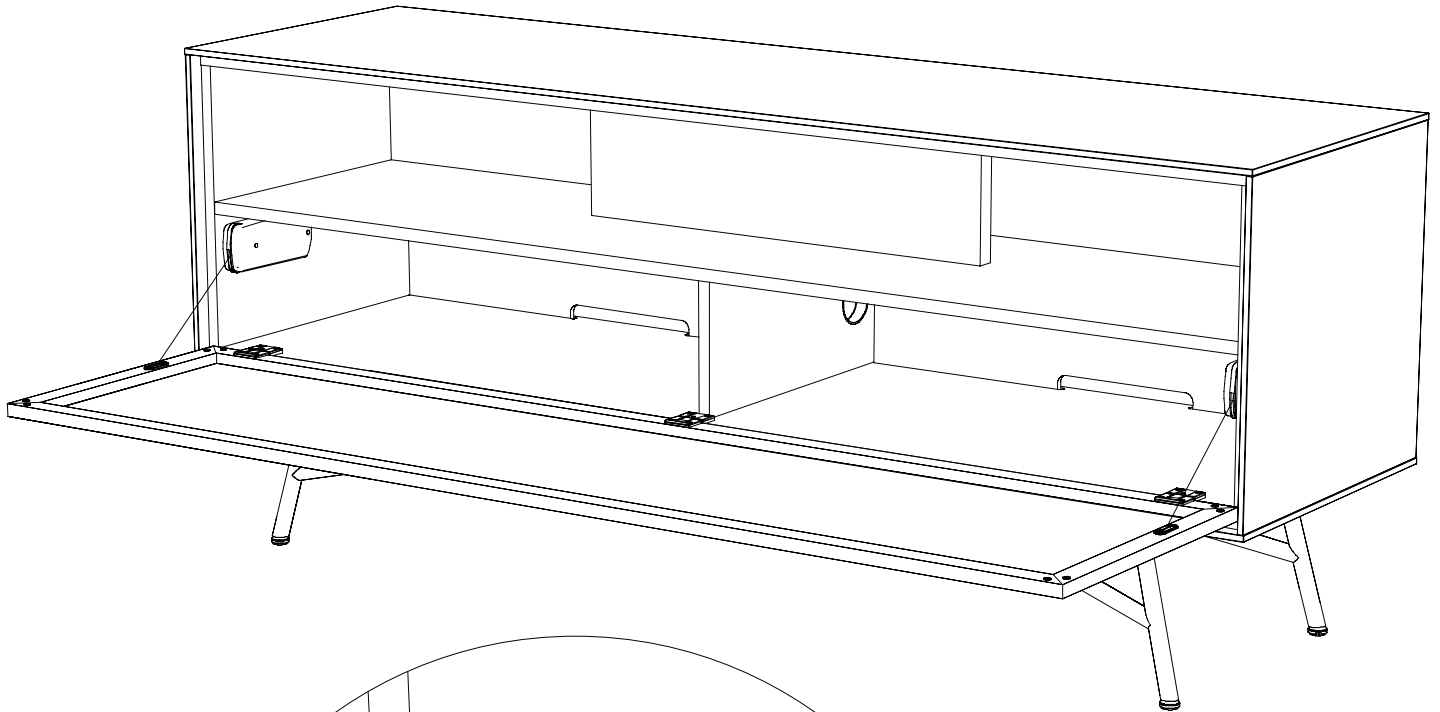
Step 5 Attach the TV Safety Strap

If you intend to place a TV on your Sector Console, it is **strongly recommended** that you use the TV Safety Strap. Find the **TV Safety Strap** attached to the back towards the top. Unravel the bundle and follow the directions on the hang tag to attach the 2 free ends of the strap to your TV using the hardware provided.



STEP 7 - Adjust Door Hinges (if needed)

Your Sector Media Console features a push-to-open, drop-down soft close door. The hinges **should not** require adjusting. If the gap between the door and the cabinet is uneven the hinges can be adjusted. Remove the cover using a slotted screwdriver to access the adjustment screws (see below).



The back screw adjusts the door forward or back.

The front screw adjusts the door up or down.