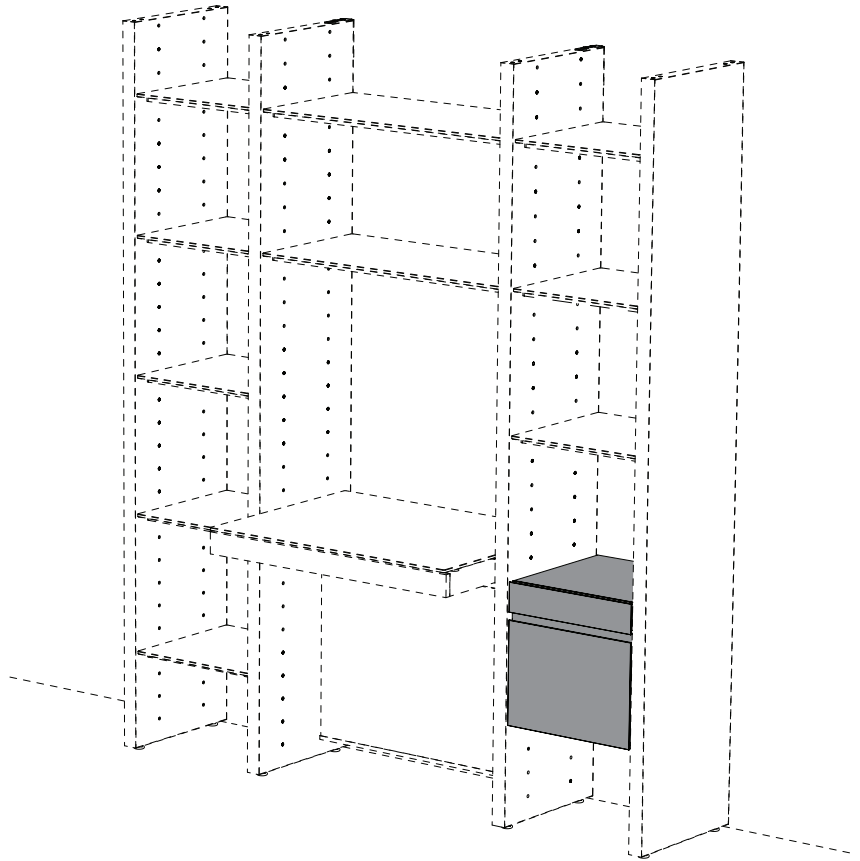


SEMBLANCE

MODULAR SYSTEM

COMPONENT ASSEMBLY INSTRUCTIONS

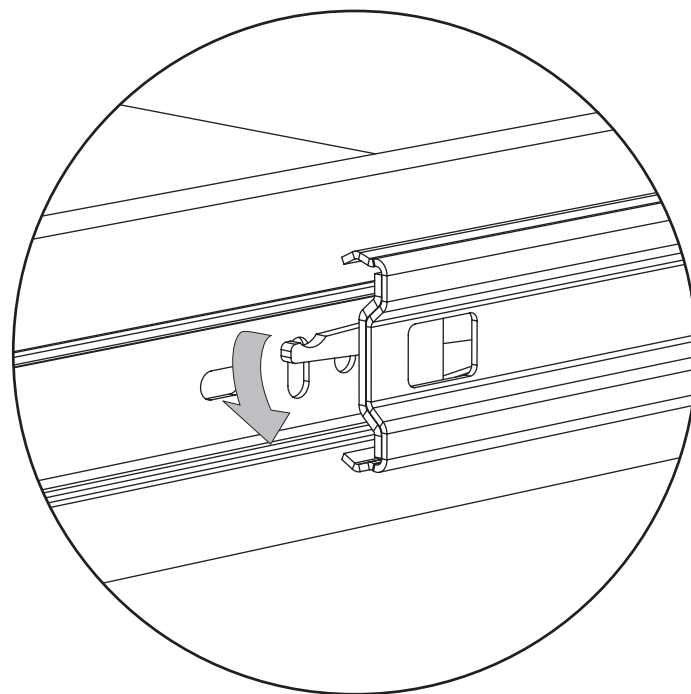
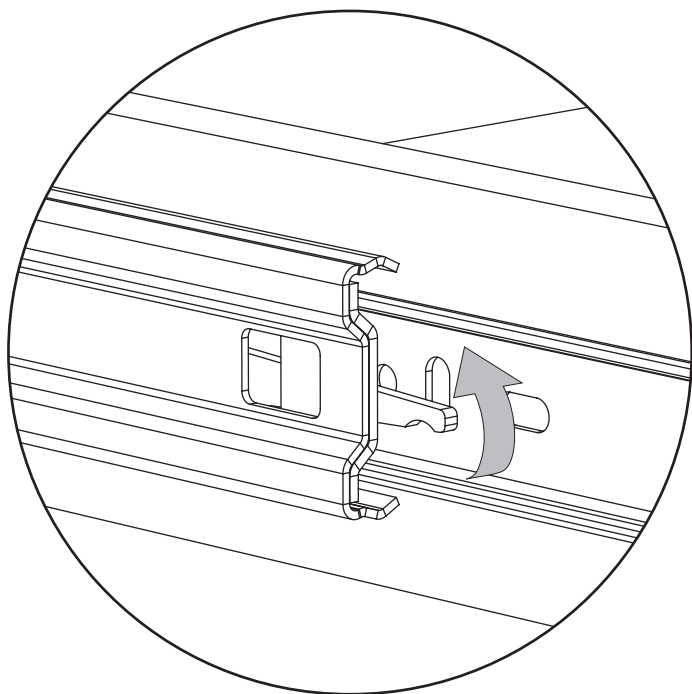
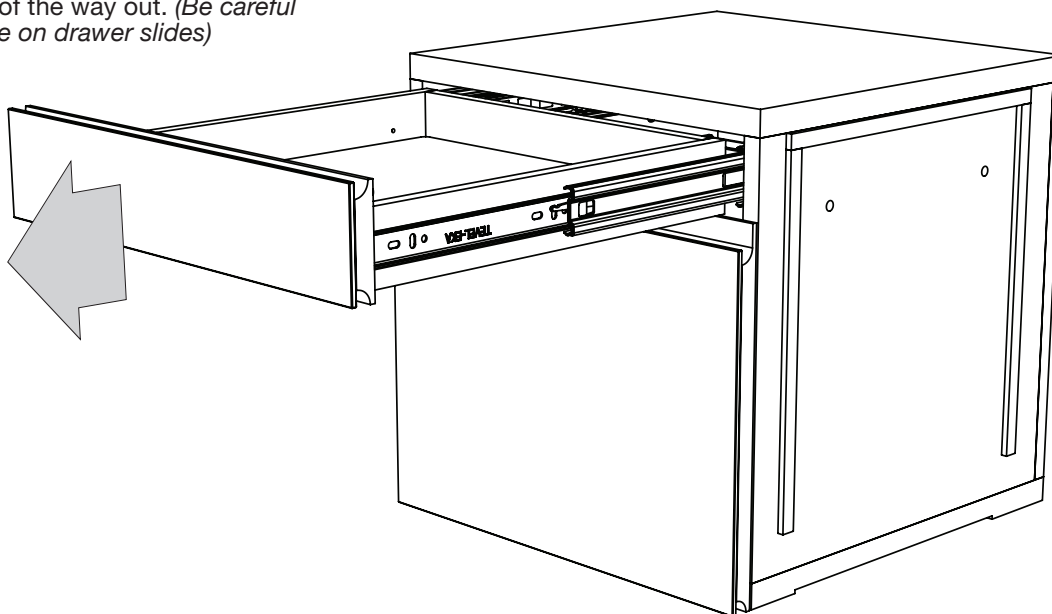


Refer to the Cabinet Assembly section (page 17) in the Main Instruction Booklet for proper installation of the Two-Drawer Files while implementing and replacing the following steps.

BEFORE STEP 3

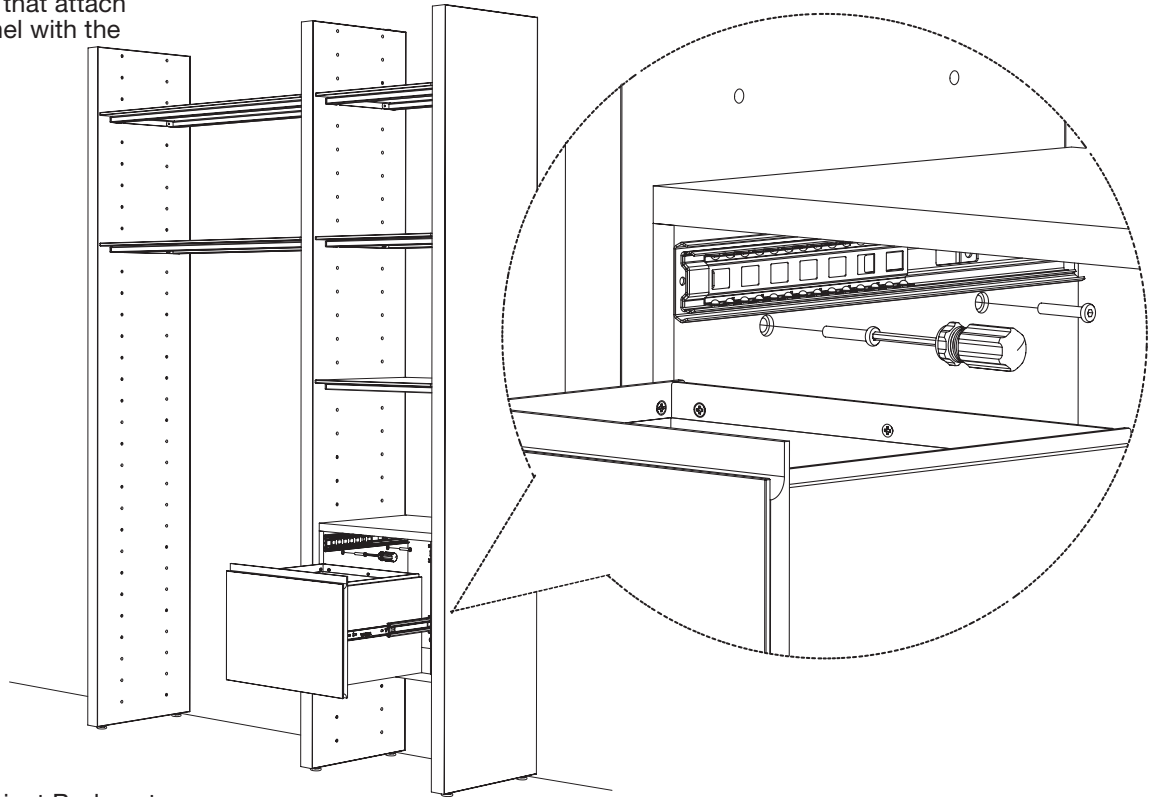
(PAGE 18):

Pull the Top Drawer as far out as it will go. Locate the finger latch in the rail of the slide on each side of the Drawer. Lift the Left Latch up and press the Right Latch down simultaneously and slide the Top Drawer the rest of the way out. *(Be careful of grease residue on drawer slides)*



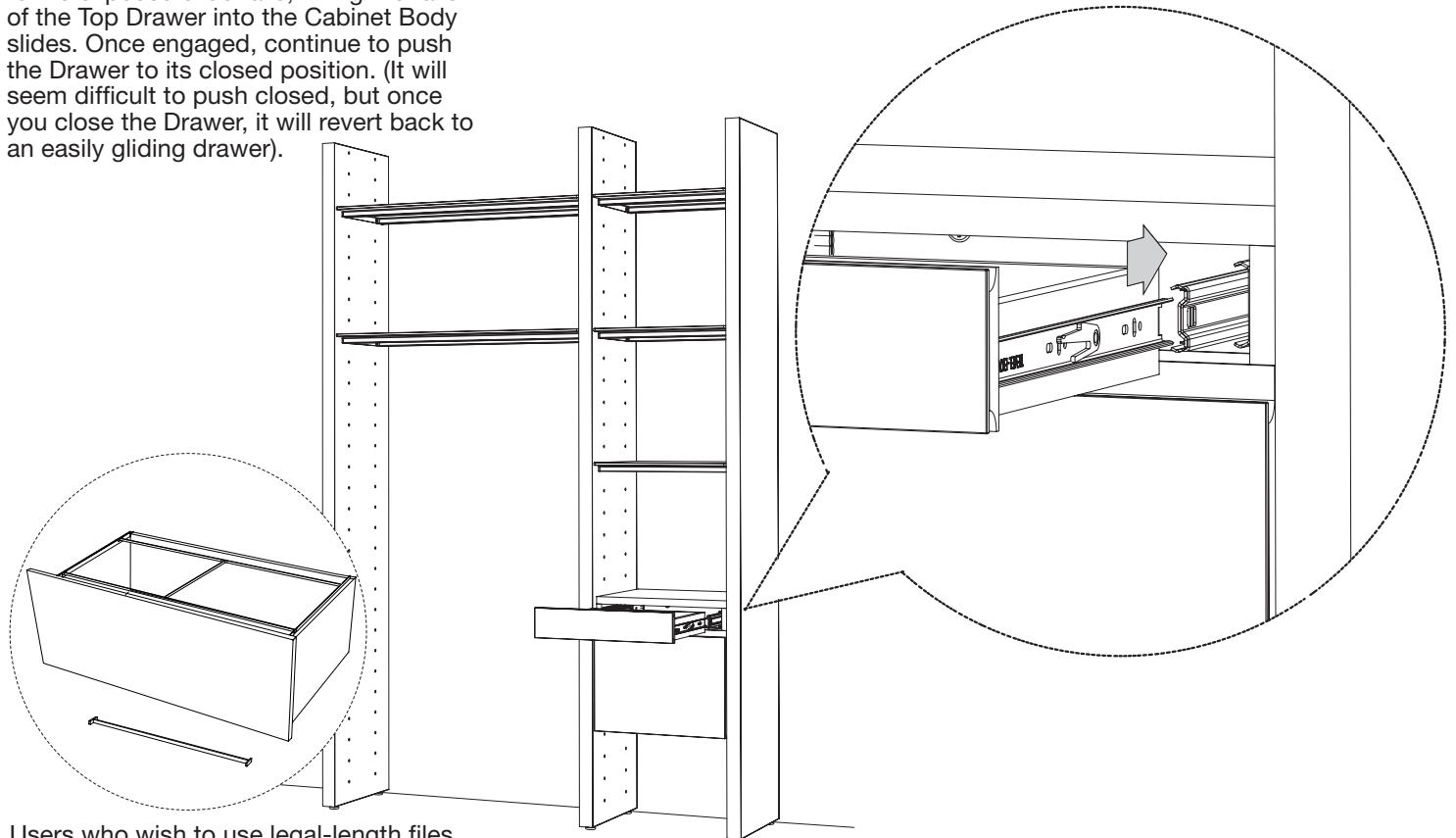
**REPLACES STEP 4 (PAGE 19)
IN MAIN ASSEMBLY
INSTRUCTIONS:**

Slide the File Drawer all the way open to access the through holes that attach the Cabinet Body to the Panel with the Screws (K).



**AFTER STEP 5
(PAGE 19):**

Pull the slide rails in the Cabinet Body out slightly. Carefully bring the Top Drawer up to the exposed slide rails, fitting the rails of the Top Drawer into the Cabinet Body slides. Once engaged, continue to push the Drawer to its closed position. (It will seem difficult to push closed, but once you close the Drawer, it will revert back to an easily gliding drawer).



Users who wish to use legal-length files may install provided Legal File Folder Stretchers by dropping into place near front and back of file drawers.