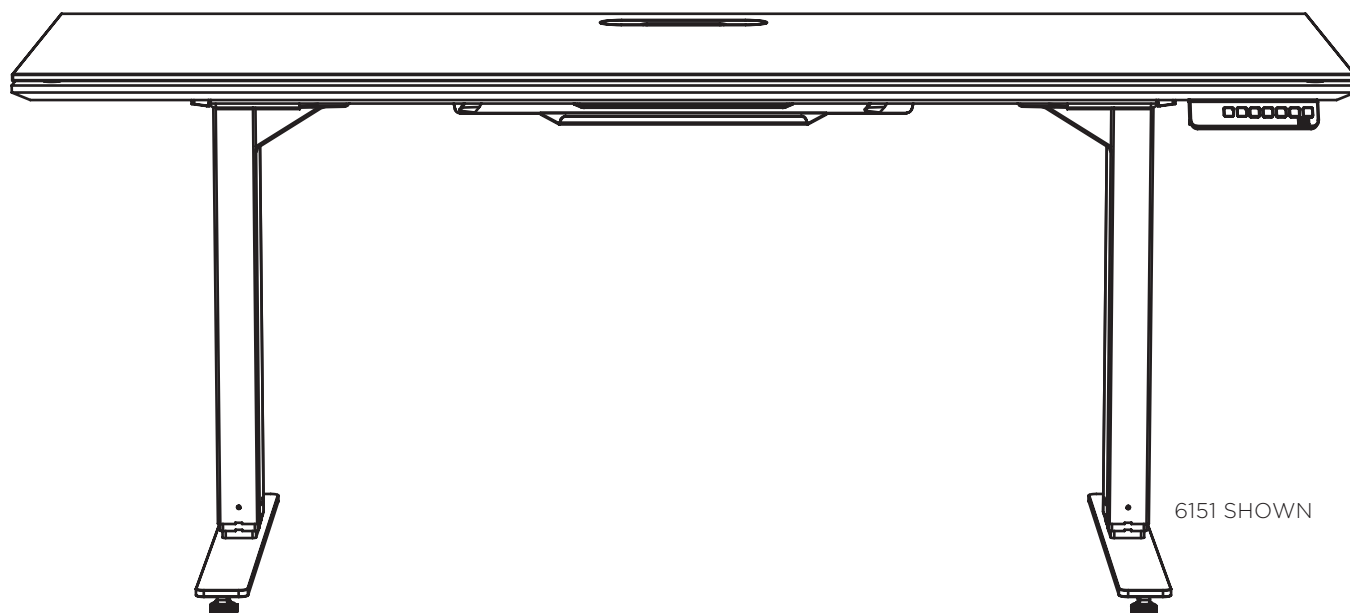


SEQUEL[®] 20 6151/6152

LIFT DESK

INSTRUCTION MANUAL

LET'S GET STARTED.



DESIGN MATTHEW WEATHERLY

BDi

BDIUSA.COM



Congratulations on the purchase of your Sequel 20 Lift Desk 6151 / 6152 from BDI. Your desk has been designed to provide a lifetime of enjoyment. This manual will provide you with assembly instructions and other helpful information that will ensure that you get the most out of your desk. Please save it for future reference.

Your Sequel 20 Lift Desk is designed for indoor use on level floors. It has been engineered for easy assembly. Please follow these directions carefully to prevent any damage.

Should you need further assistance, contact BDI at customerservice@bdiusa.com.


ENJOY!

HARDWARE AND COMPONENTS


Unpack and identify the parts listed below. The assembly workspace should be a non-marring surface such as carpet. For missing hardware pieces, please contact BDI Customer Service at customerservice@bdiusa.com.

Do not use power tools for assembly of this product.


For all other concerns, please contact your BDI retailer.



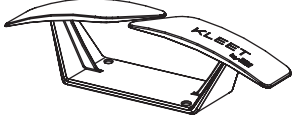
PART #	T1
DESCRIPTION	4mm Hex Wrench
QUANTITY	1



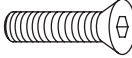
PART #	H1
DESCRIPTION	Long Wood Screw
QUANTITY	2



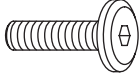
PART #	H2
DESCRIPTION	Short Wood Screw
QUANTITY	12



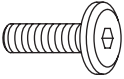
PART #	H3
DESCRIPTION	Cord Wrap
QUANTITY	2




PART #	H4
DESCRIPTION	M6 x 16mm Screw
QUANTITY	8




PART #	H5
DESCRIPTION	M6 x 15mm Screw
QUANTITY	10




PART #	H6
DESCRIPTION	M6 x 12mm Screw
QUANTITY	5



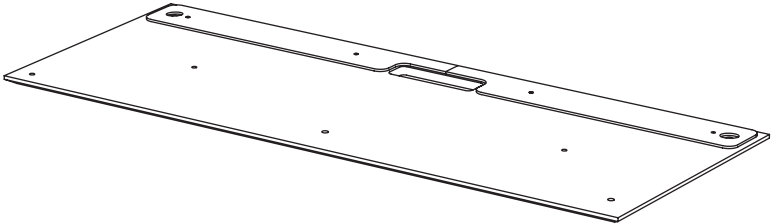
PART #	H7
DESCRIPTION	Cord Clip
QUANTITY	6



PART #	H8
DESCRIPTION	Glass Bumper
QUANTITY	2

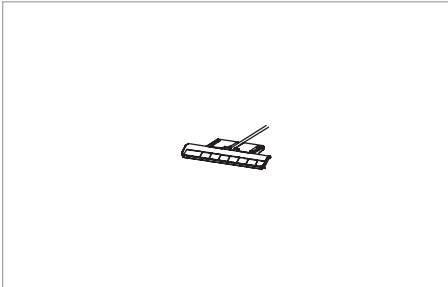


PART #	H9
DESCRIPTION	Dual Lock Dot
QUANTITY	8

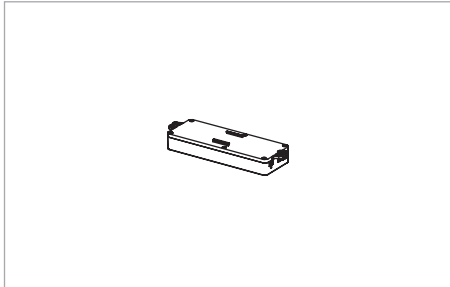


PART #	A1
DESCRIPTION	Main Panel
QUANTITY	1

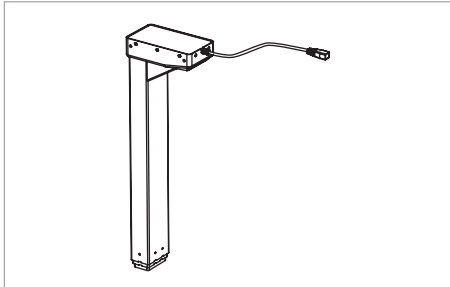
HARDWARE AND COMPONENTS



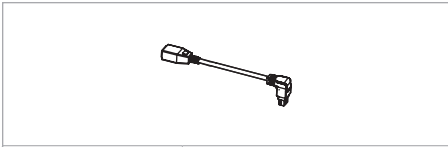
PART #	C1
DESCRIPTION	Keypad
QUANTITY	1



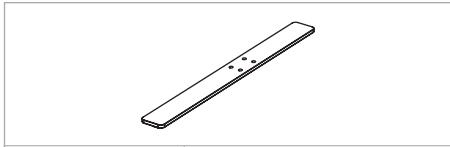
PART #	C2
DESCRIPTION	Control Module
QUANTITY	1



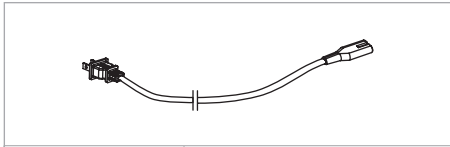
PART #	C3
DESCRIPTION	Leg
QUANTITY	2



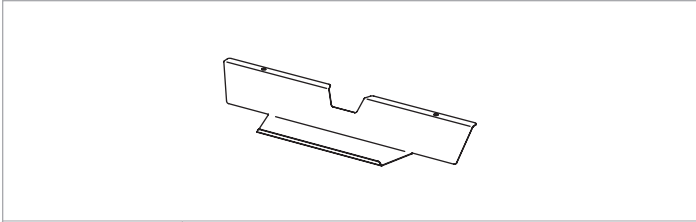
PART #	C4
DESCRIPTION	Cord Extension
QUANTITY	1



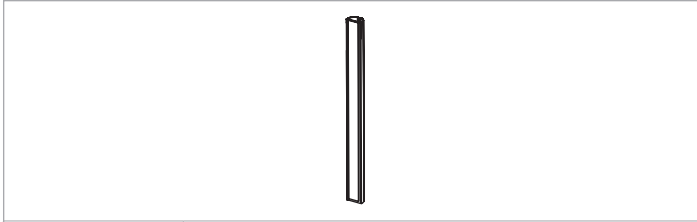
PART #	C5
DESCRIPTION	Foot
QUANTITY	2



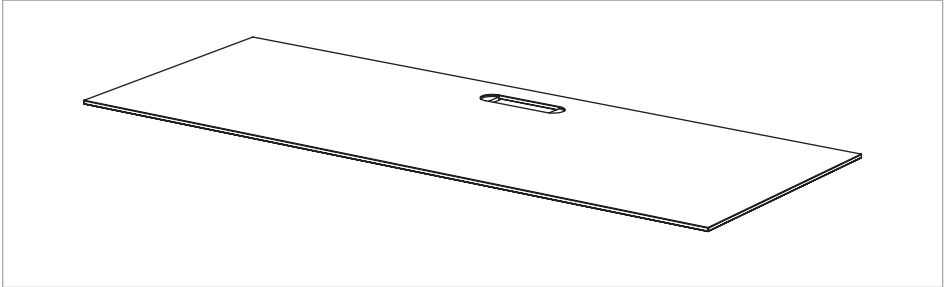
PART #	C6
DESCRIPTION	Power Cord
QUANTITY	1



PART #	C7
DESCRIPTION	Wire Tray
QUANTITY	1



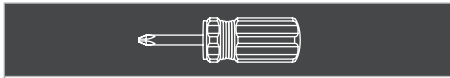
PART #	C8
DESCRIPTION	Cord Conduit
QUANTITY	1



PART #	C9
DESCRIPTION	Glass Panel
QUANTITY	1






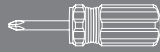
PART #	C10
DESCRIPTION	Grommet Cover
QUANTITY	1

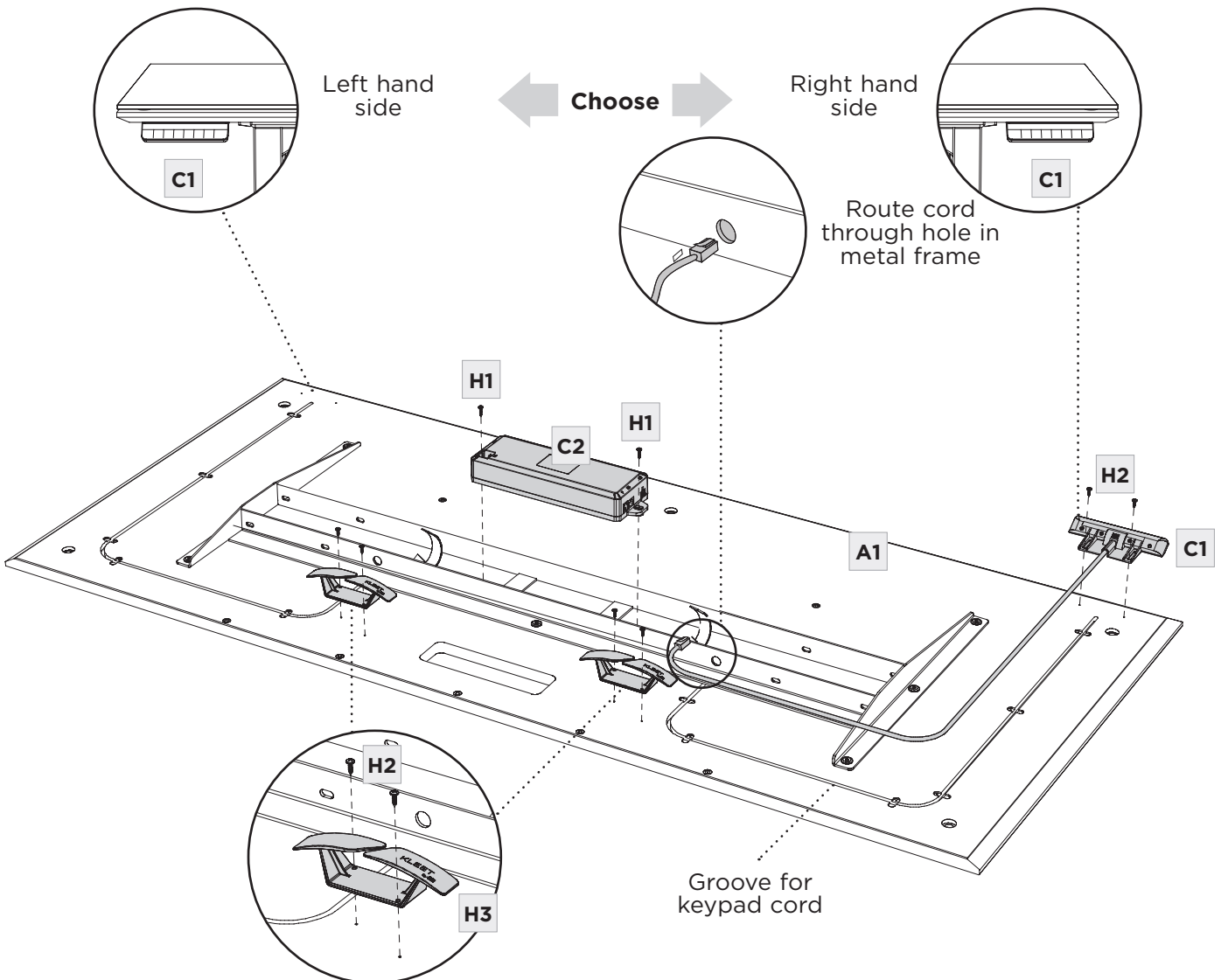


TOOL REQUIRED (NOT INCLUDED)
Phillips Screwdriver

Lay **(A1) Main Panel** upside down on a soft surface (carpet). Attach **(C1) Keypad** on the desired side (choose left or right) with **2 (H2) Short Wood Screws** and a **Phillips Screwdriver**.

IMPORTANT! Orient the **(C2) Control Module** so that the keypad cord socket (labeled HS) is facing the keypad side and secure between the 2 steel rails with **2 (H1) Long Wood Screws** as shown. Route the keypad cord into the groove in the panel and through the hole in the metal frame. Attach **2 (H3) Cord Wraps (Kleet)** using **(H2) Short Wood Screws**.




	PART/DESCRIPTION	QTY
	H1-WOOD SCREW	2
	H2-WOOD SCREW	6
	H3-CORD WRAP	2
	NOT INCLUDED Phillips Screwdriver	1

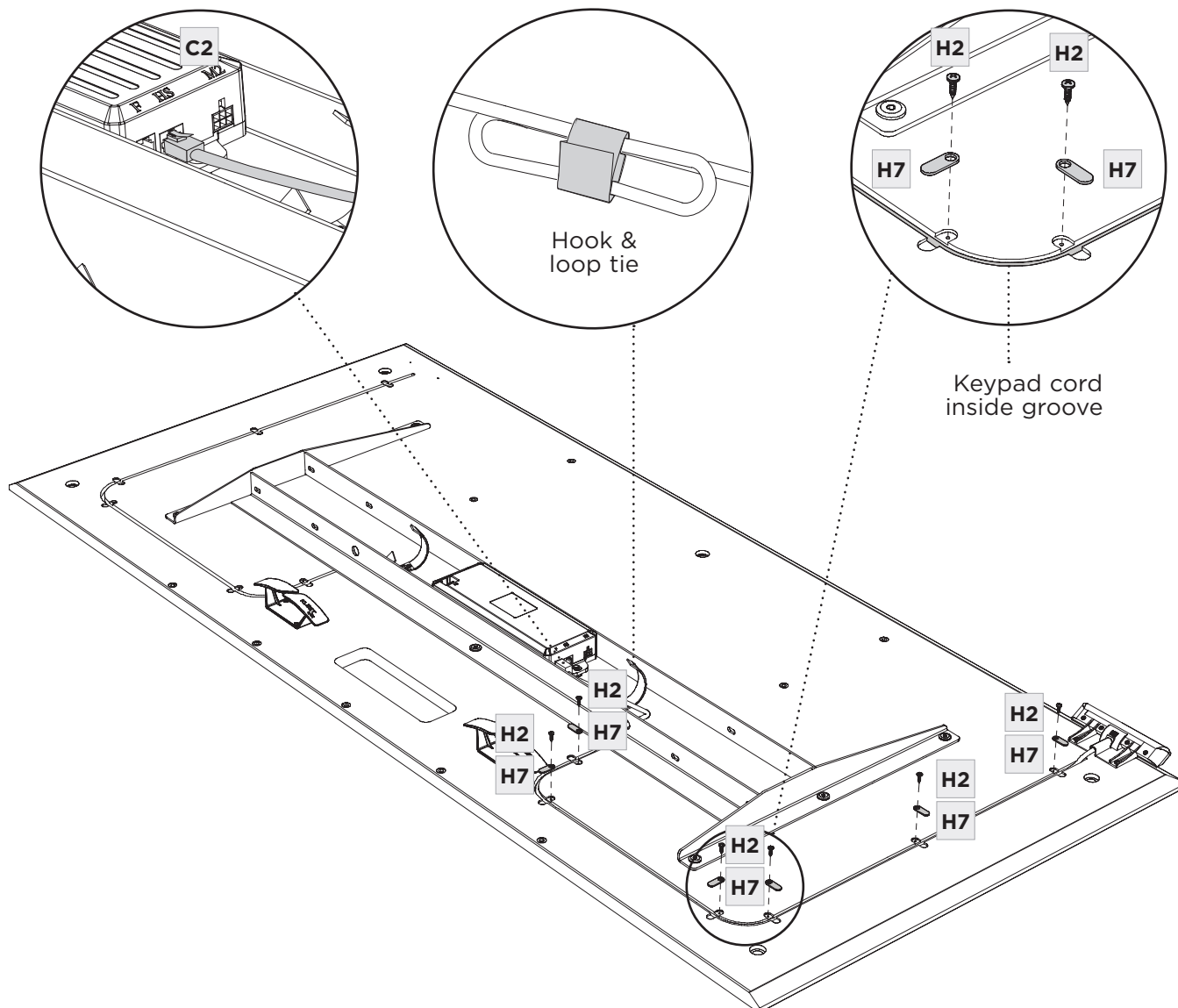


STEP 2. CONNECT & SECURE KEYPAD


ASSEMBLY

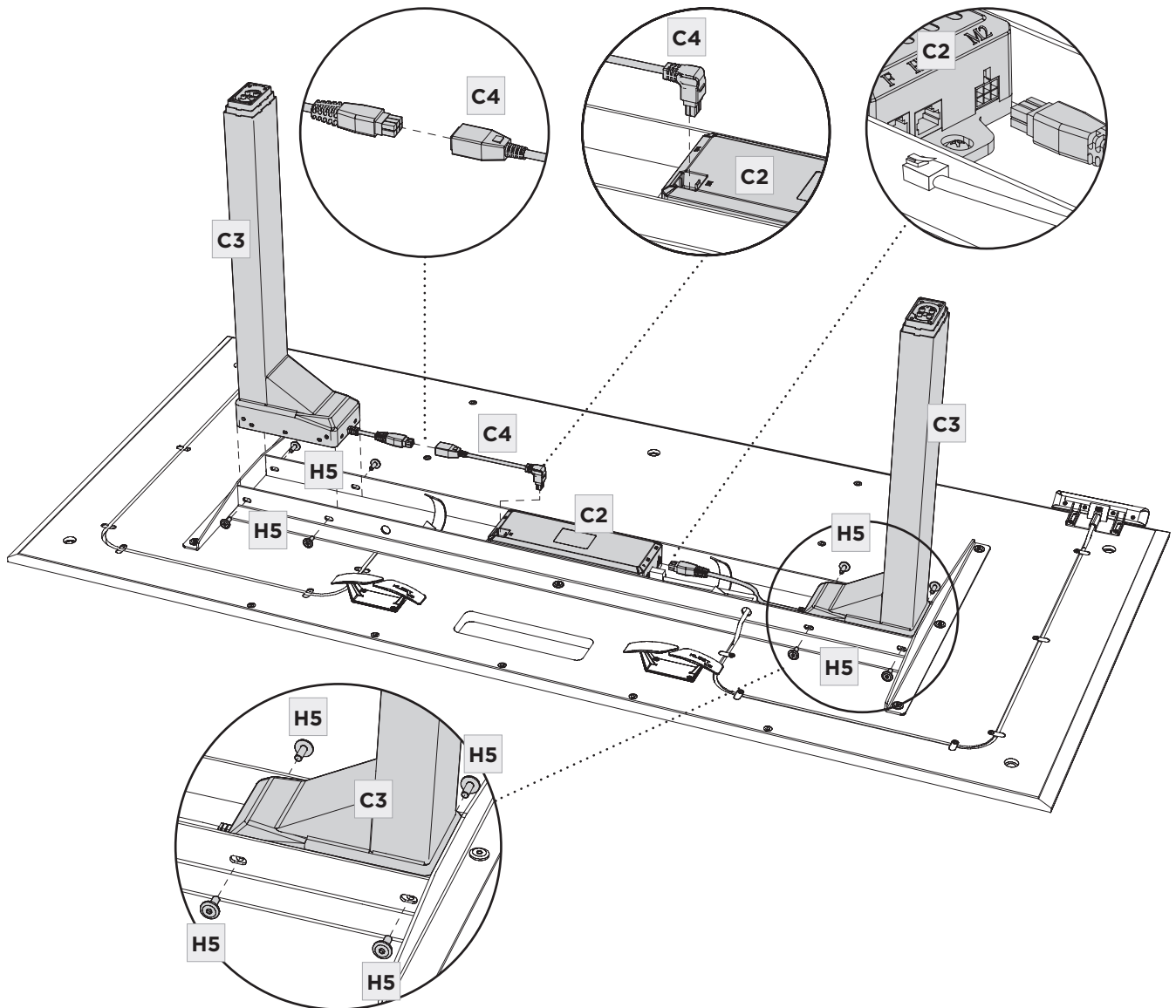
Attach keypad cord into the **(C2) Control Module** socket (labeled HS) and bundle the slack with the **hook and loop tie**. Secure the keypad cord into the groove using **6 (H7) Cord Clips** and **6 (H2) Short Wood Screw**. Tighten with a **Phillips Screwdriver**.

	PART/DESCRIPTION	QTY
	H2-WOOD SCREW	6
	H7-CORD CLIP	6
	NOT INCLUDED Phillips Screwdriver	1



Attach **2 (C3) Legs** with **4 (H5) Screws** per leg using **(T1) Hex Wrench**. Start all 4 screws before tightening them down. Connect **(C4) Cord Extension** into the top of **(C2) Control Module**. Connect 1 leg cord to the end of **(C4) Cord Extension**, connect the other leg cord to the other end of the **(C2) Control Module** and bundle up any slack using the hook and loop ties.



	PART/DESCRIPTION	QTY
	T1-HEX WRENCH	1
	H5-SCREW	8

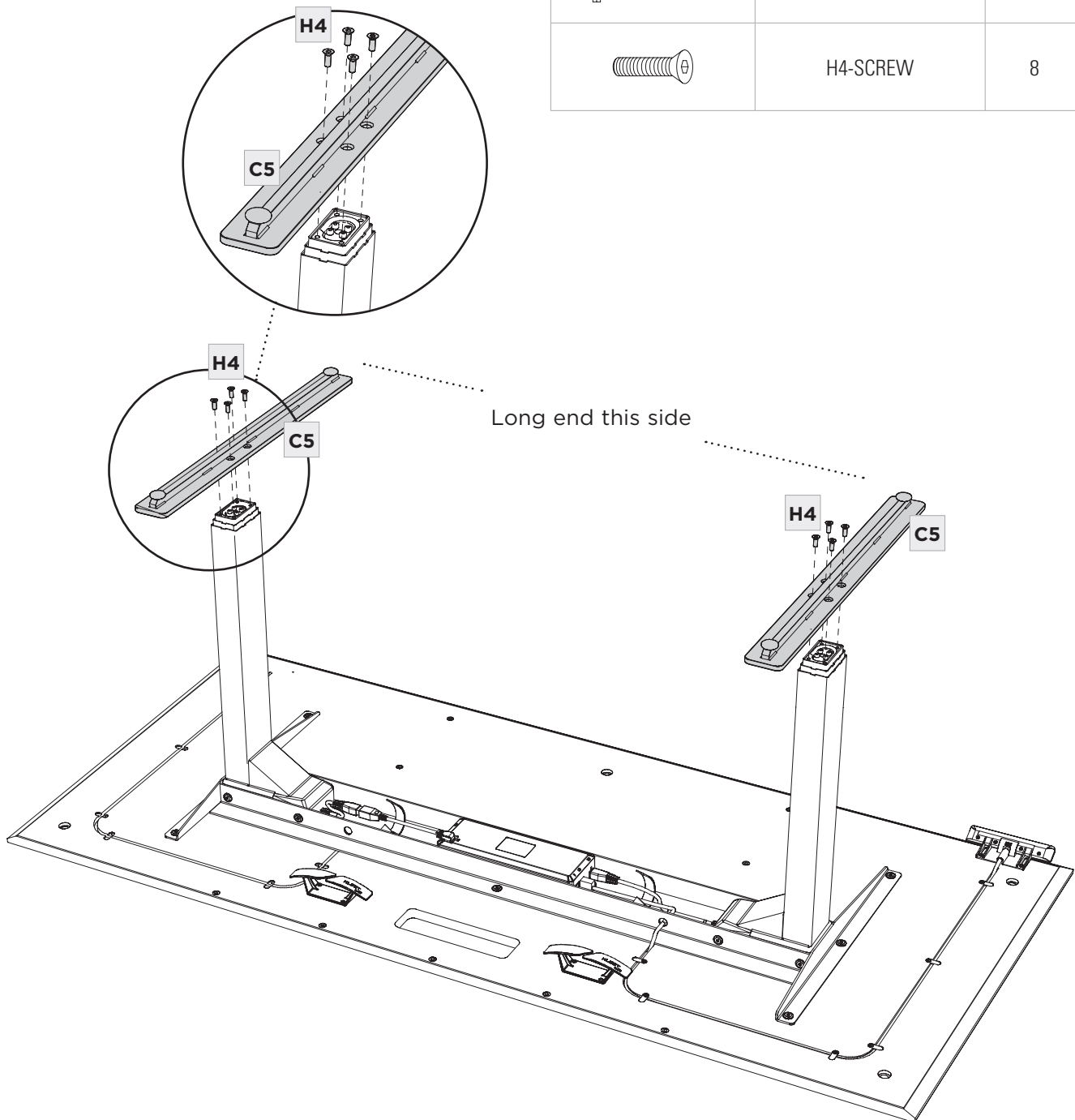


STEP 4. INSTALL FEET

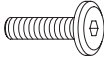
ASSEMBLY

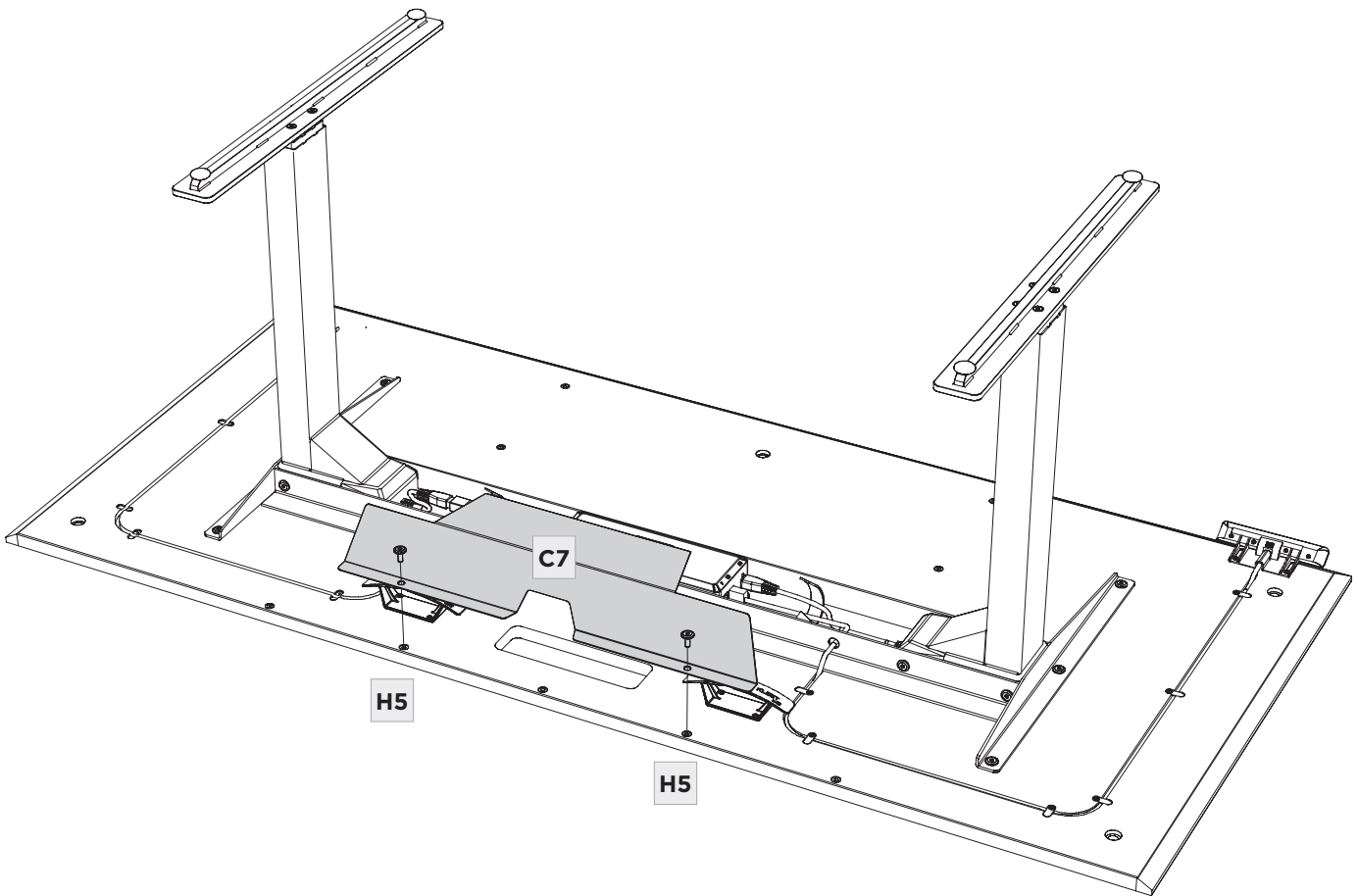
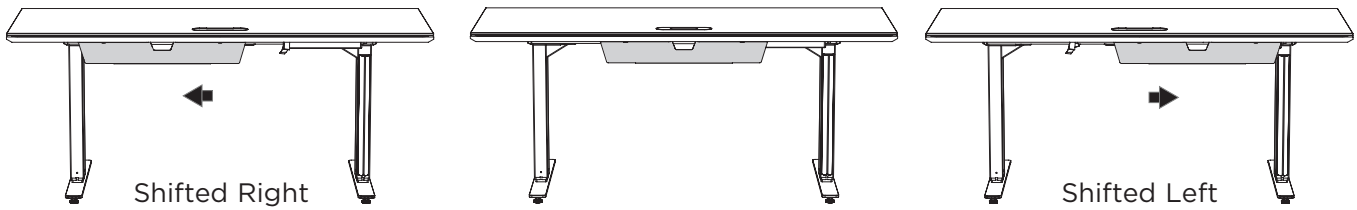
Attach **(C5) Feet** with **(H4) Flathead Screws** and **(T1) Hex Wrench**. Make sure the longer end of the feet are facing the front of the desk (same side as keypad).

	PART/DESCRIPTION	QTY
	T1-HEX WRENCH	1
	H4-SCREW	8



Determine if you prefer the wire tray to be centered, shifted left or shifted right. If you plan to use a monitor arm, it might be better to shift the position of the **(C7) Wire Tray** to make the monitor arm attach more centrally. Attach the metal **(C7) Wire Tray** to the back edge of the bottom of the desk with **2 (H5) Screws**.


	PART/DESCRIPTION	QTY
	H5-SCREW	2

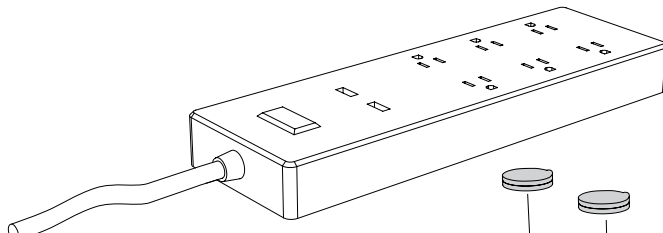


STEP 6. ATTACH SURGE PROTECTOR—NOT INCLUDED

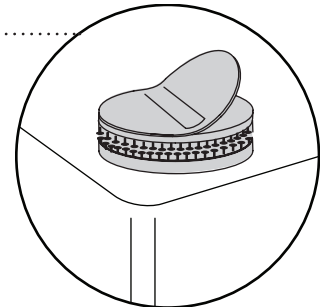
ASSEMBLY

Secure 4 pairs of **(H9) Dual-Lock Dots** to the bottom corners of your surge protector.

	PART/DESCRIPTION	QTY
	H9-DUAL LOCK DOT	4



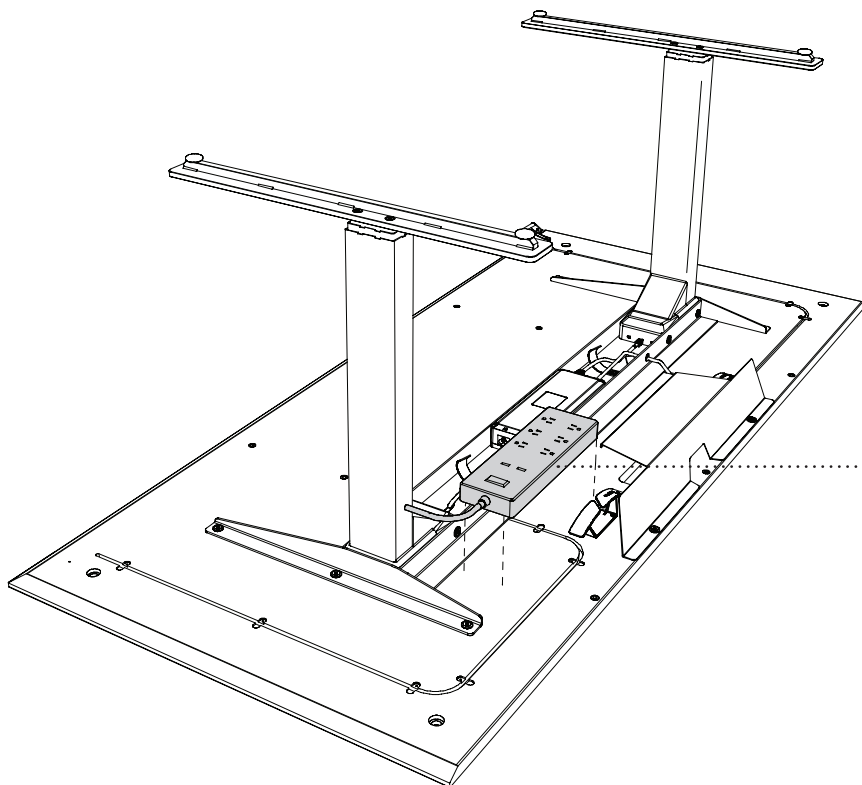
Surge Protector (not included)



Attach Dual Lock together

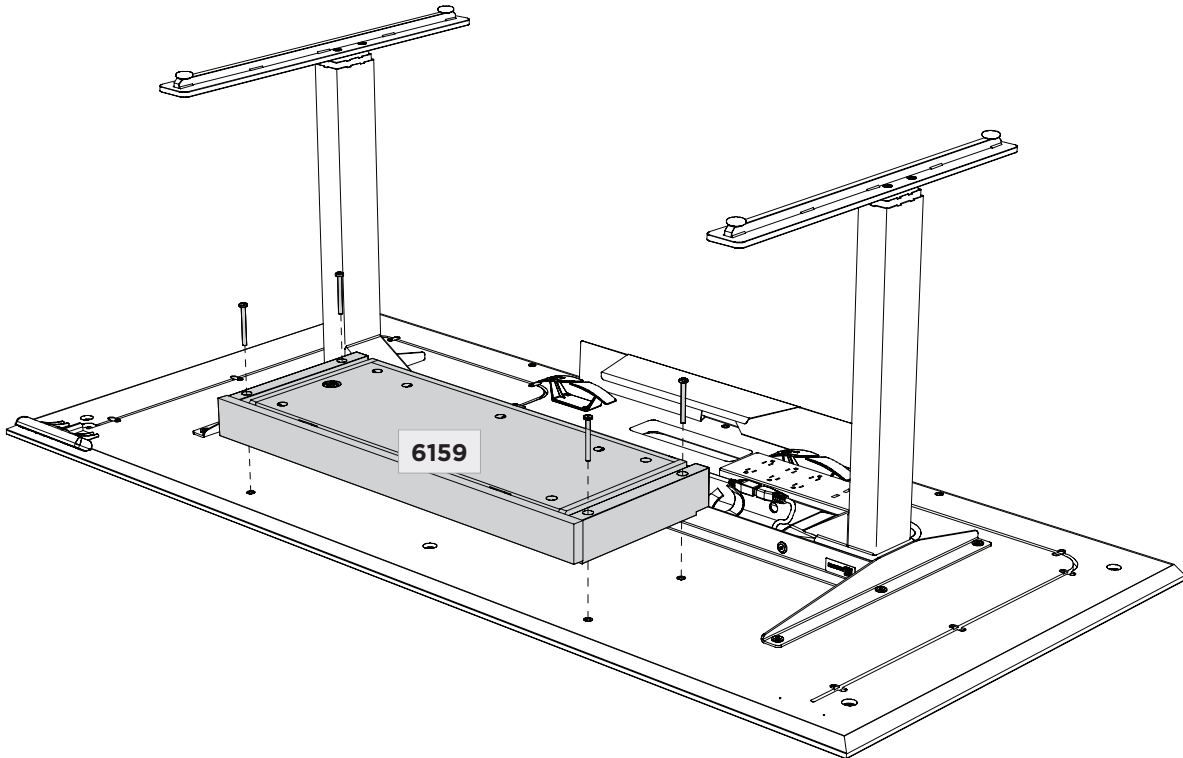
ATTACH YOUR SURGE PROTECTOR—NOT INCLUDED

Determine where you prefer your surge protector to be mounted. We suggest just behind the metal rails towards the leg closest to your wall outlet. Make sure the area is dust free. Remove the adhesive film and attach the surge protector with the power cord facing the nearest leg. Press firmly to allow the pressure sensitive adhesive to set.

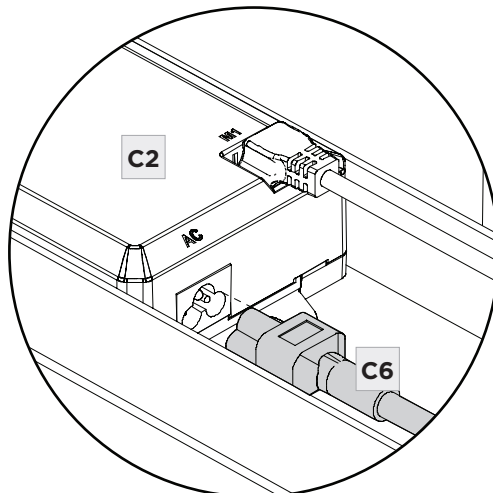


Surge Protector (not included)

Attach the **(6159) Optional Drawer** (for 6151/6152) using **4 Screws** that came with your drawer as shown.



Plug the **(C6) Power Cord** into the power port on the **(C2) Control Module** (labeled AC).



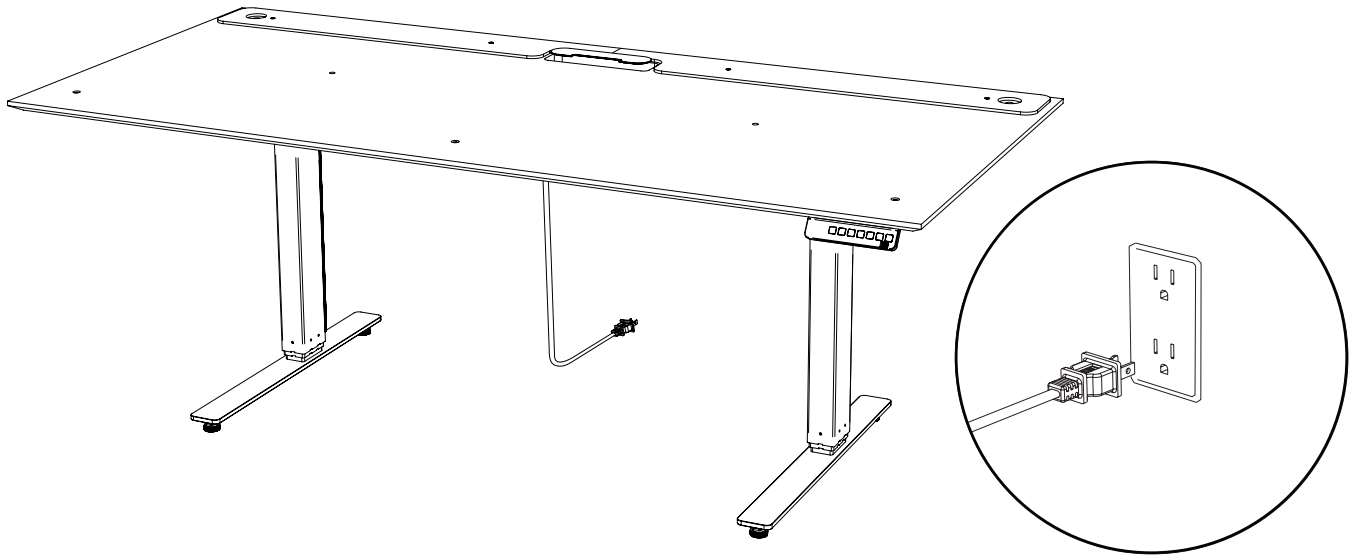
STEP 9. ATTACH DUAL LOCK FASTENER—OPTIONAL

2 PERSON TASK



ASSEMBLY

With the help of another person, carefully pick up, rotate, and place the desk on to its feet. Plug the other end of the Power Cord into the nearest wall socket. Refer to the **User Manual on Page 18** and follow the **Reset Procedure**. You may now adjust the height of your desk to make the remaining steps easier.

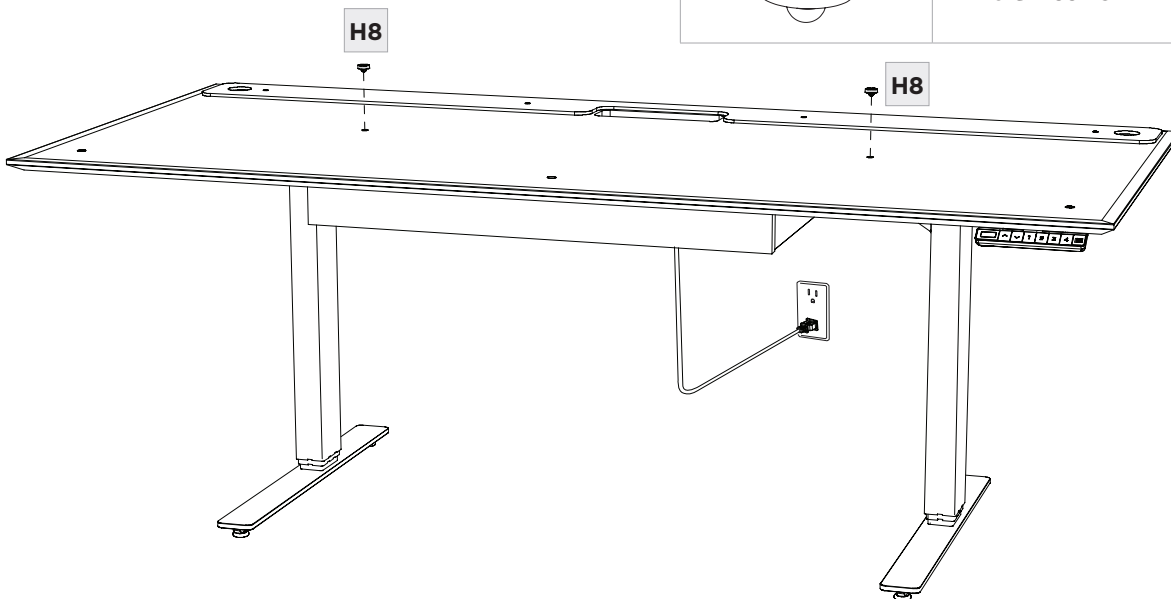


STEP 10. INSTALL GLASS BUMPERS

ASSEMBLY

Install the **2 (H8) Glass Bumpers** as shown.

	PART/DESCRIPTION	QTY
	H8-GLASS BUMPER	2



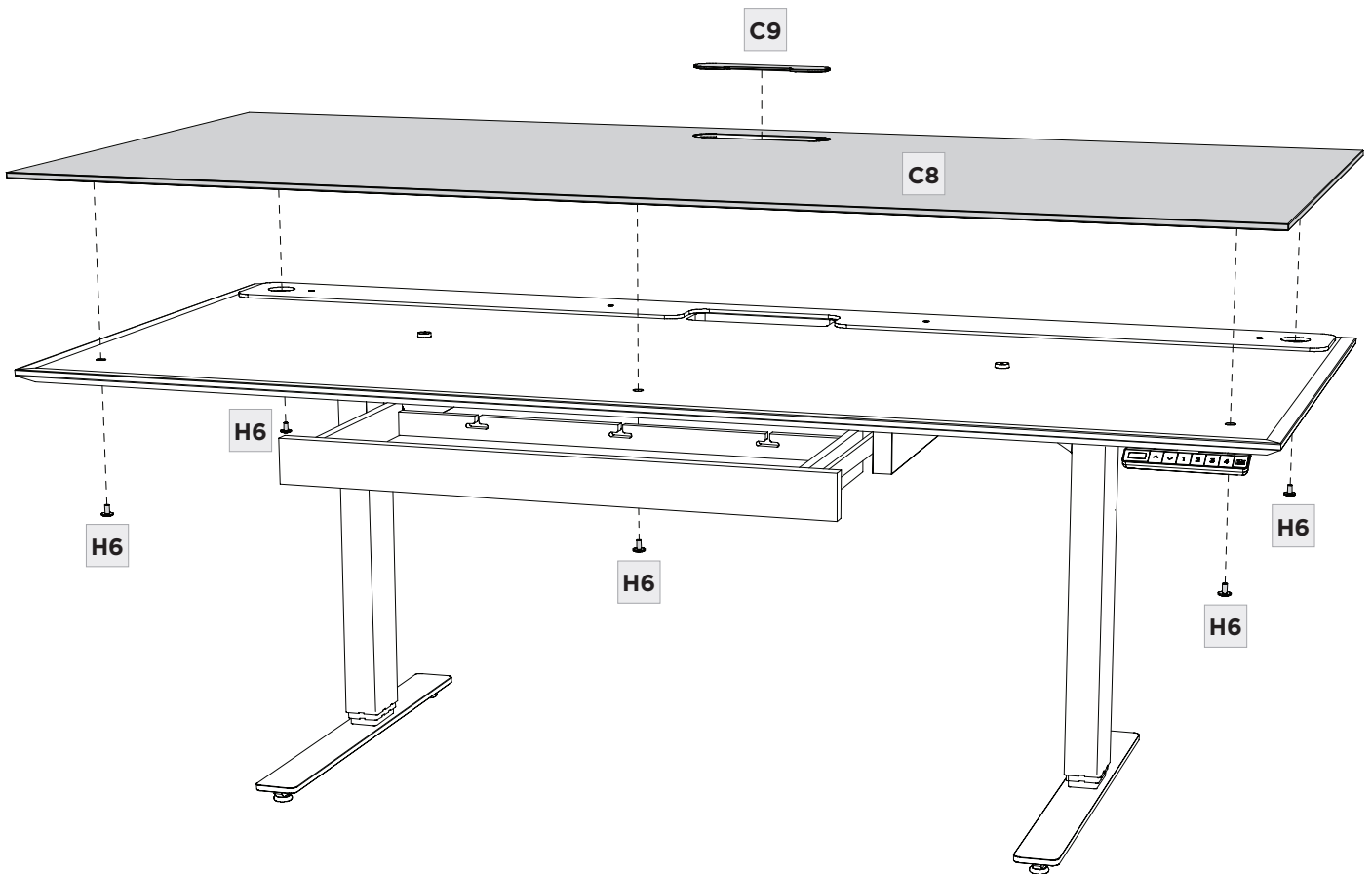


ASSEMBLY

STEP 11. INSTALL GLASS PANEL & GROMMET COVER

With the help of another person, carefully place the **(C8) Glass Panel** on top of the desk top with the metal pucks facing down. The stem of the glass pucks should slip into 5 holes. Secure the **(C8) Glass Panel** in place from below using **5 (H6) Screws**. **Do not over tighten.** Open drawer to attach front, center screw. Place **(C9) Grommet Cover** into the grommet hole.

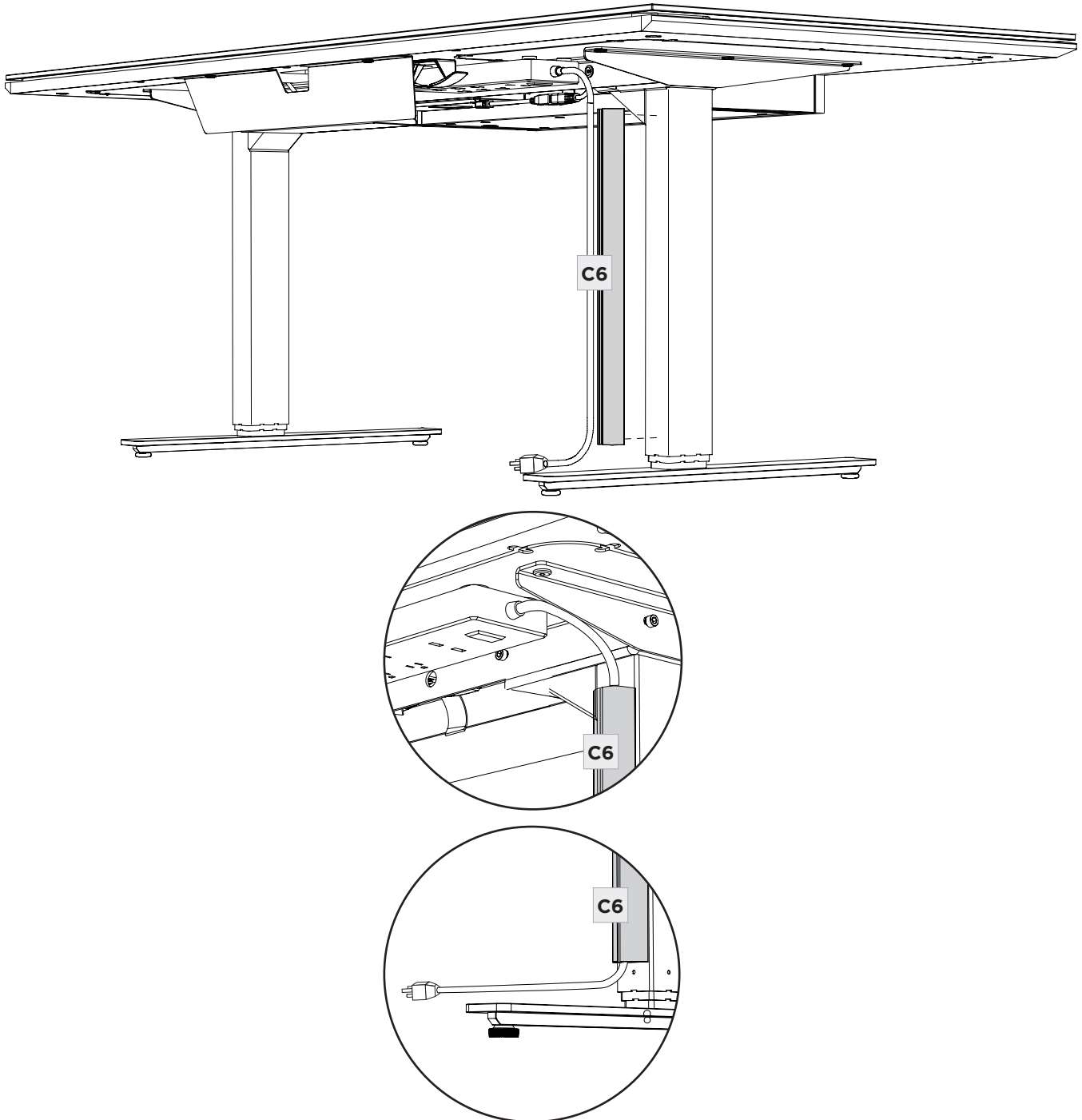
	PART/DESCRIPTION	QTY
	H6-SCREW	5



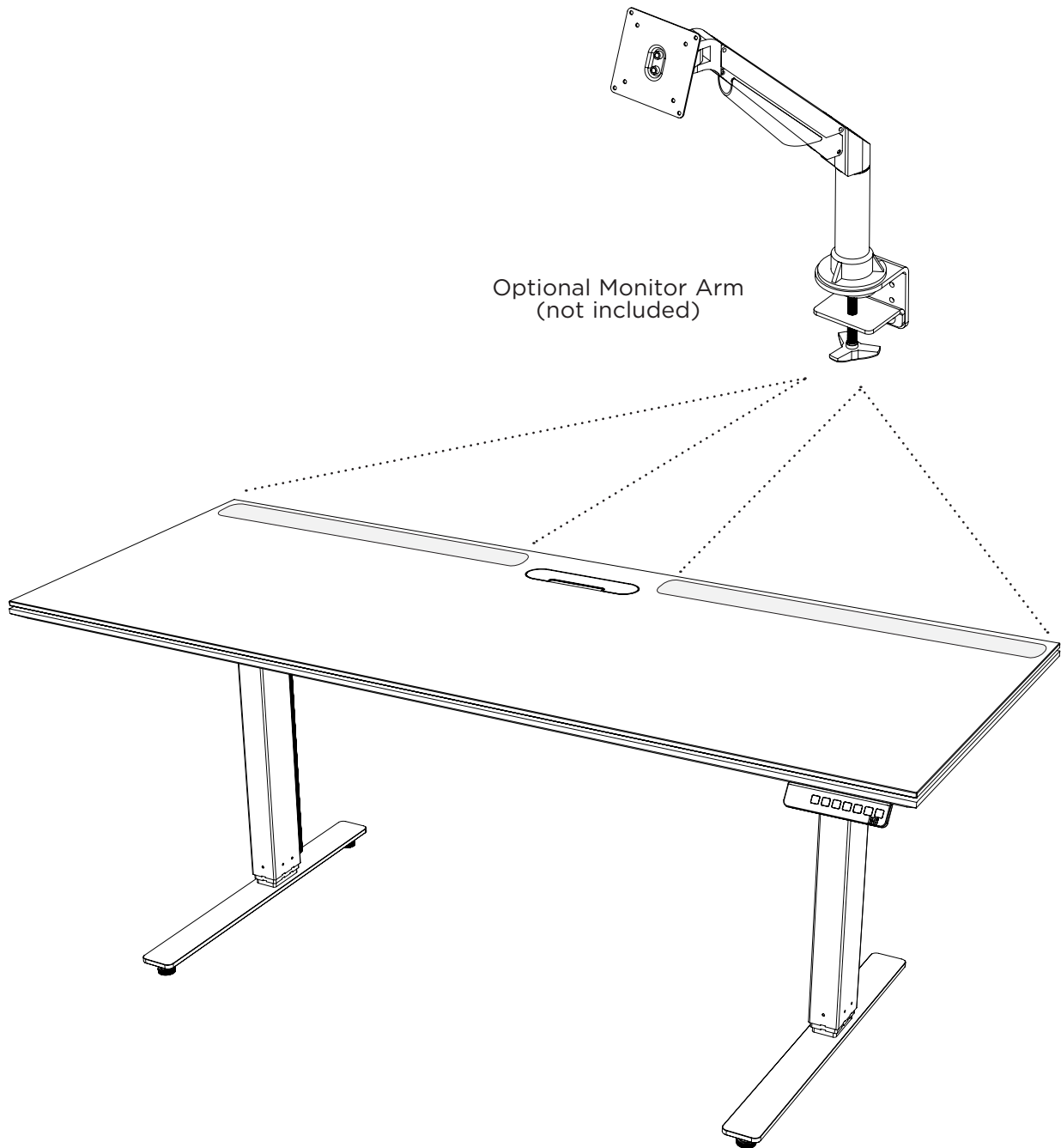
STEP 12. ATTACH CORD CONDUIT—OPTIONAL

ASSEMBLY

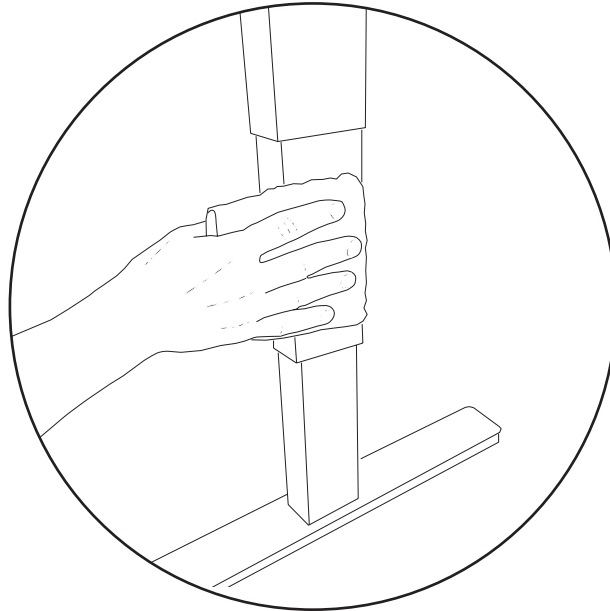
Remove adhesive film and attach the **(C6) Cord Conduit** to the back of the top section of the leg nearest the wall outlet. Insert power cord(s) into **(C6) Cord Conduit**.



The Sequel Lift Desk is compatible with most third party monitor arms. Attach your monitor arm on either side of the grommet hole along the back edge, staying at least 1" away from the grommet hole. The Sequel Lift Desk can support **75lb (34Kg)** on a monitor arm.

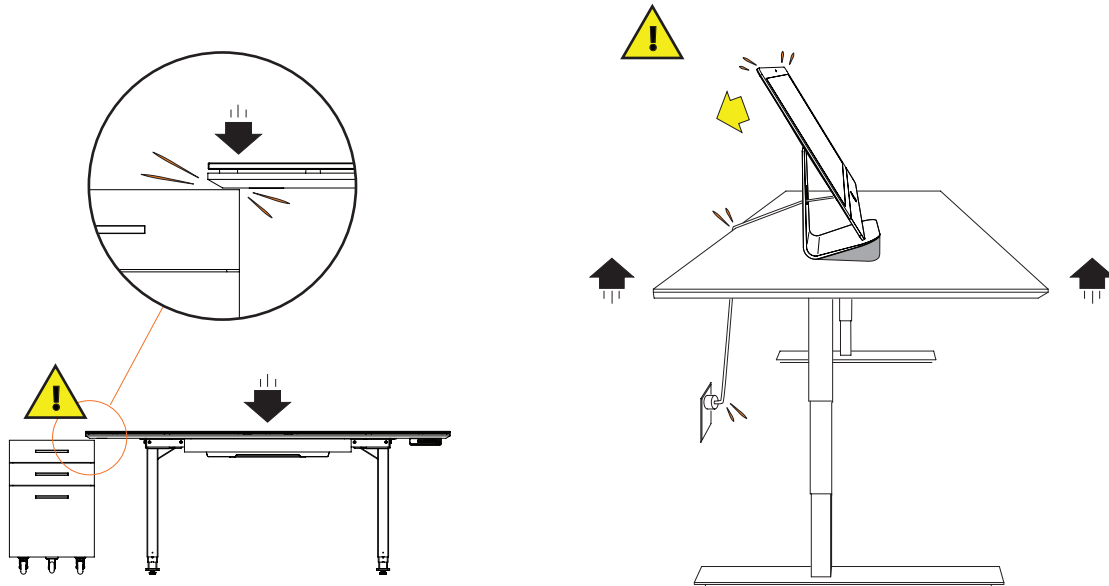


When new, the legs may have excess lubricant. Extend the legs to their highest position and wipe off excess lubricant with a clean, dry cloth or rag.



CAUTION!

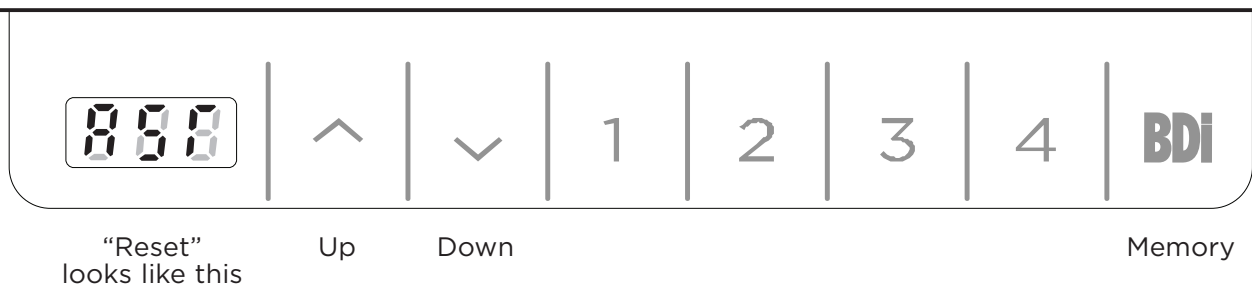
- Make sure there are no obstacles under or over the path of the desk.
- Make sure the desk top is not touching any walls.
- Make sure all the cords are long enough to reach lowest and highest desk positions.



IMPORTANT: YOU MUST RESET THE DESK PRIOR TO USE.

RESET PROCEDURE

1. Press and hold the DOWN button on the keypad until the desk reaches its lowest height.
2. Release the DOWN button.
3. Press and hold the DOWN button again until the LED display reads “RST”.
4. Release the DOWN button.
5. Press and hold the DOWN button again until the desk lowers a little bit more, slightly rises and stops.
6. Release the DOWN button. Your desk is now ready for use.



HEIGHT ADJUSTMENT

The desk base can be adjusted by pressing and holding either the UP or DOWN button until the desired height is reached.

To program up to four presets, use the up/down buttons to find a desired height, then press “**BDI**” followed by a number 1-4. To Change the **Movement Program** (explained below) follow the **Reset Procedure** to **Step 4**. The display should be flashing “RST”. Press and hold the “**1**” button (about 5 seconds) until the display flashes “10.1” or “10.2”. You can press and hold the “**1**” button again to switch to the other setting. Once the chosen setting is selected finish the Reset Procedure steps 5 and 6.

ONE TOUCH (DEFAULT)—10.1

Once a preset button is pushed, the desk will move to the programmed height. To stop movement, press any number on the keypad.

CONSTANT TOUCH—10.2

A preset button must remain pressed for the desk to move to the programmed height. To stop movement, release the button.

TROUBLE SHOOTING

If your desk is not functioning properly it may need to be reset. Follow the RESET procedure on page 18. If your LED readout displays an error message Er1 confirm that all wired connections are secure. Then perform the reset procedure above.

KEYPAD LOCK

To lock the keypad:

Press and hold the “**BDI**” button for about 8 seconds until the LED display reads “LOC”. The keypad is now locked and cannot be used to move the desk.

To unlock the keypad:

Press and hold the “**BDI**” button for about 8 seconds until the LED display switches from “LOC” to the height display. The keypad is now unlocked and can be used as normal.

HEIGHT DISPLAY: INCHES OR CENTIMETERS

To change unit of height measurements (inches or centimeters) follow the **Reset Procedure** to **Step 4**. The display should be flashing “RST”. Press and hold the “**2**” button (about 5 seconds) until the display flashes “**10.3**” or “**10.4**”. You can press and hold the “**2**” button again to switch to the other setting. Once the chosen setting is selected, finish the Reset Procedure steps 5 and 6.

Centimeters—10.3

Inches (Default)—10.4

SETTING THE UPPER AND LOWER LIMITS

The base is designed to go to its minimum and maximum heights, allowing for the widest possible range. If you prefer to change the settings to a more narrow range, follow these steps:

TO SET THE LOWER-LIMIT POSITION

Use the UP/DOWN buttons to move the base to the desired minimum height position. Press and release the “**BDI**” button and the LED display should read “**S**”. Next, press and release the DOWN button. Now, press and hold the “**BDI**” button (for about 2 seconds) until the LED display changes to “**000**” and then automatically returns to show the selected height. The new lower limit is now set.

TO SET THE UPPER-LIMIT POSITION

Use the UP/DOWN buttons to move the base to the desired maximum height position. Press and release the “**BDI**” button and the LED display should read “**S**”. Next, press and release the UP button. Now, press and hold the “**BDI**” button (for about 2 seconds) until the LED display changes to **999** and then automatically returns to show the selected height. The new upper limit is now set.

NOTE

- You can set just the upper limit or just the lower limit or both.
- After the upper and lower limits are set, the previous memory positions (1,2,3,4) may be outside the new range of movement. If so, simply reset the memory positions.
- If you attempt to revise a previously set upper or lower limit and it is outside of the existing range, you will need to remove the previously set upper/lower limits first.

A Reset Procedure requires the desk to be fully lowered (beyond any lower limit set). Please ensure that you have the proper clearance below the desk!

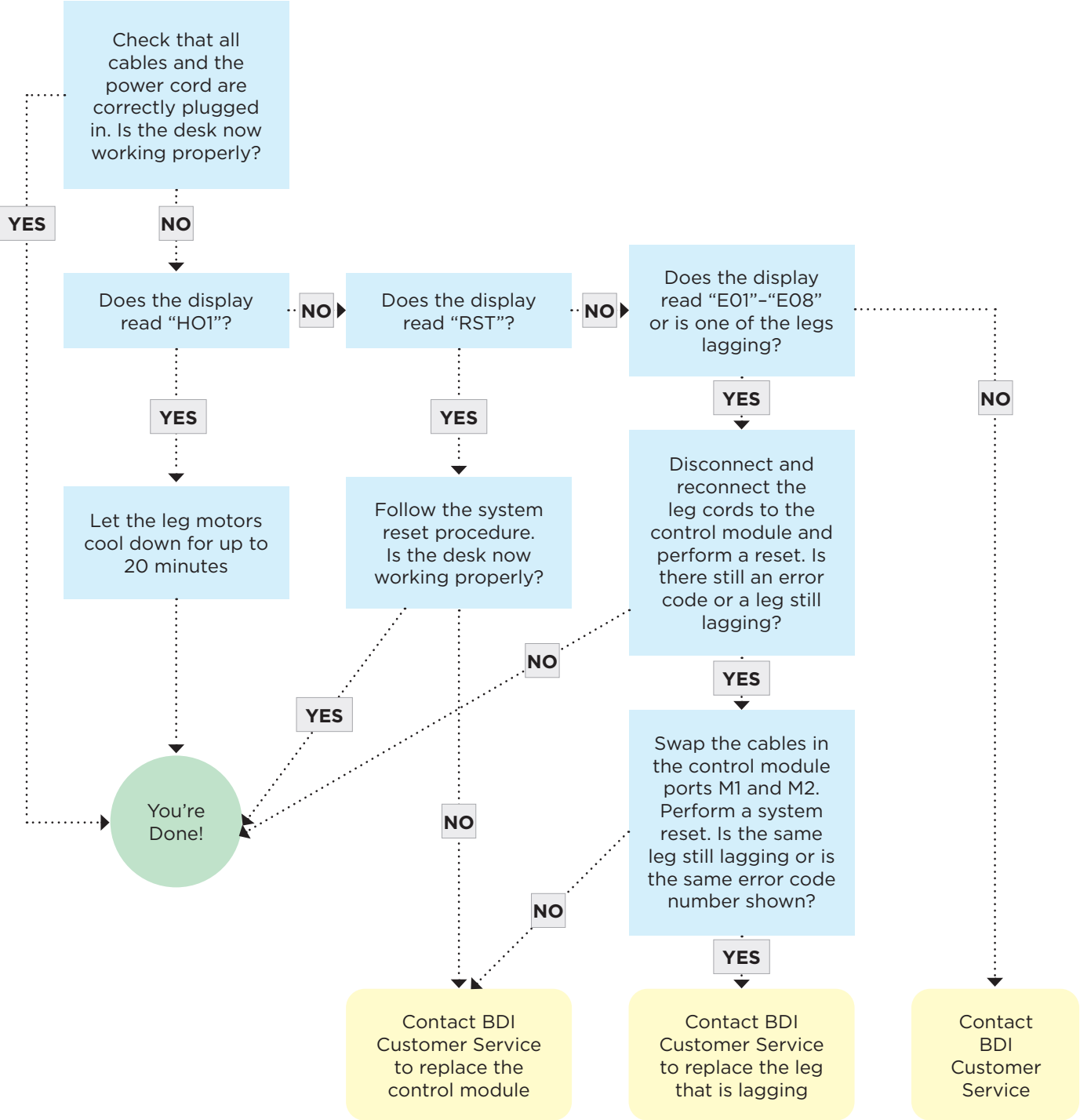
TO REMOVE THE UPPER/LOWER LIMIT POSITIONS

Press and release the “**BDI**” button and the LED display should read “**S**”. Within 5 seconds, press and hold the “**BDI**” button until the display flashes “**555**”. The upper and lower limits are now removed.

TECHNICAL SPECIFICATIONS

Height Range	24.75"-49.75" (63-126 cm)
Travel Speed	1.5" per second
Weight Capacity	150 lbs (68 kg)
Duty Cycle	10%, Max 2 minutes with 18 minutes off
Memory	4 position presets
Monitor Arm Compatible	Yes

If your desk is not functioning properly it may need to be reset. Follow the RESET procedure above. If your LED readout displays an error message Er1 confirm that all wired connections are secure. Then perform the reset procedure above.



CARE & MAINTENANCE

GLASS

Glass surface is maintained using household glass cleaner and a paper towel or cloth.

SATIN-ETCHED GLASS

This uniquely smooth-to-the-touch glass surface can be regularly maintained using household glass cleaner and a paper towel or cloth. Minor scratches or scuffs not eliminated using paper towel or cloth can usually be removed by using a 'Magic Eraser'. Magic Eraser is a melamine foam product available at any grocery store or home improvement center. Dampen the entire glass surface as well as the Magic Eraser, then rub the entire glass surface in broad, even strokes using moderate pressure. Clean and dry the surface with a paper towel. Check for results and repeat as necessary.

Any scratches or scuffing not eliminated by one of the above methods can often be addressed by 'refreshing' the glass. This is a process that should not be required more than once per 6-12 months. See this brief video for the simple method: www.bdiusa.com/glass

WOOD

Wood surfaces should be cleaned with a slightly damp (not saturated) cloth or paper towel. Do not use glass cleaner on wood. If moisture remains, dry the surface with another cloth. If needed, a gentle non-abrasive cleanser may be used, but be sure to wipe away all cleaner residue and dry the surface with a cloth.

BDI's wood finishes feature natural hardwood solids and veneers. Wood is a product of nature and—unlike man-made materials that can be manufactured to strict and consistent specifications—has natural imperfections that are part of its appeal and character. Every piece of wood differs from every other, even when coming from the very same tree. As such, variation in grain, texture and tone should be expected from one panel or piece of furniture to the next.

While BDI's stained wood finishes are stable in tone & appearance, all finishes are subject to some degree of discoloration with prolonged exposure to direct sunlight. Please take care to avoid positioning your BDI cabinet in any area with extensive direct sunlight. To learn more about the features of natural wood, visit www.bdiusa.com/wood

METAL & PAINTED SURFACES

Surfaces should be cleaned with a slightly damp (not saturated) cloth or paper towel. If moisture remains, dry the surface with another cloth. If needed, a gentle non-abrasive cleanser may be used, but be sure to wipe away all cleaner residue and dry the surface with a cloth.

BDI warrants to the original purchaser that for the below stated warranty term, BDI will repair or replace any product, part, or component covered by this warranty which fails under normal use as a result of a defect in material or workmanship. BDI will repair or replace the aforementioned product, part or component with a comparable product, part or component. The decision to repair or replace will be at BDI's sole discretion.

BDI Home Theater Furniture, Office Furniture, Modular Systems, Tables and other furniture pieces are warranted for three (3) years from the date of purchase as shown on your sales receipt. The warranty period starts from the date of purchase. This warranty extends only to the original purchasers who acquire new product from BDI Authorized Resellers. Any product, part, or component must have been assembled, installed, used, and maintained according to BDI's published instructions in order to be eligible for warranty coverage. Any modification to the original product voids the warranty.

To view BDI's complete warranty information, visit www.bdiusa.com/warranty

PRODUCT REGISTRATION

Registering your new BDI product allows us to send you important product updates, service information and helpful hints related to your BDI products. Register today, and you will be entered to win free a BINK table from BDI: www.bdiusa.com/register



WARNING

SERIOUS OR FATAL CRUSHING INJURIES CAN OCCUR FROM FURNITURE TIP-OVER. TO HELP PREVENT TIP-OVER:

- Install tip-over restraint.
- Place heaviest items in lower compartments.
- Never allow children to climb or hang on drawers, doors or shelves.
- Never open more than one drawer at a time.

USE OF TIP-OVER RESTRAINT MAY REDUCE—BUT NOT ELIMINATE—THE RISK OF TIP-OVER.



BDIUSA.COM

These distinctive product configurations are protected by US and international patents, trade dress, and/or copyright laws. Sequel & BDI are trademarks of Becker Designed, Inc. All rights reserved. ©2020, BDI | V.05.28.2020

Made in Vietnam.