

# CENTRO™ 6402

RETURN

bdiusa.com  
customerservice@bdiusa.com



## Product Registration

Registering your new BDI product allows us to send you important product updates, service information and helpful hints related to your BDI products. Register today and you will be entered to win free a BINK table from BDI. [www.bdiusa.com/product-registration/](http://www.bdiusa.com/product-registration/)

## Placement and Maintenance

Centro™ Office furniture is designed for indoor use on level floors. Clean glass with glass cleaner, and steel parts and wood veneer with a moist cloth.

Your Centro™ Office furniture is engineered for easy assembly. Carefully follow this procedure to prevent any damage. Do not use power tools for assembly of this product.

## Step 1

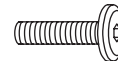
Unpack and identify the parts listed below. The assembly workspace should be a non-marring surface such as carpet. For missing hardware pieces, please contact BDI Customer Service at [customerservice@bdiusa.com](mailto:customerservice@bdiusa.com). For all other concerns, please contact your BDI retailer.



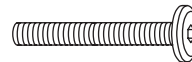
**T1** 4mm Hex Wrench



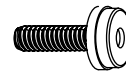
**H6** 1/4-20 x 12 mm Screw x 2



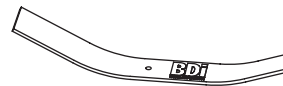
**H7** 1/4-20 x 38 mm Screw x 4



**H8** 1/4-20 x 61 mm Screw x 4



**H19** Leveler Glide x 2



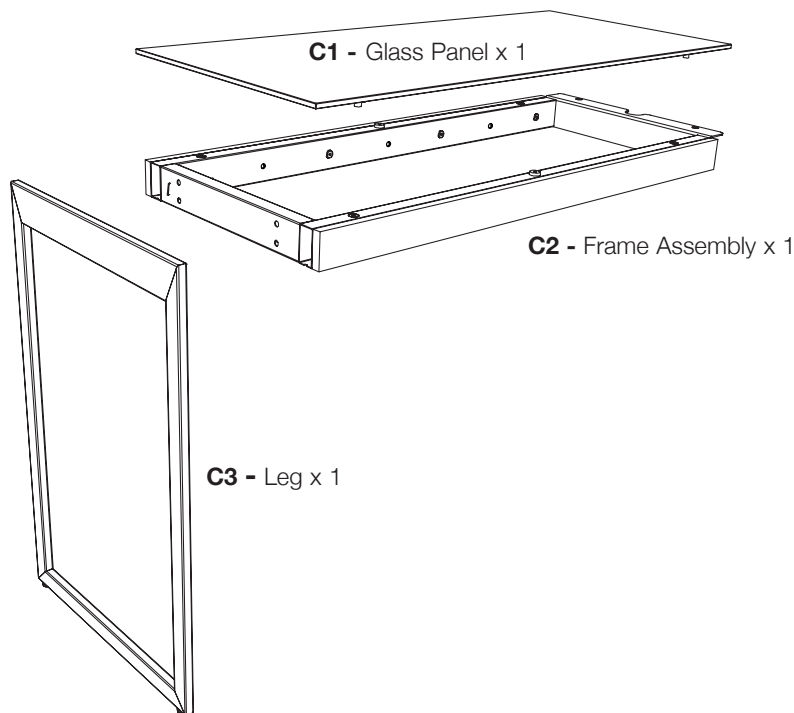
**H11** Cord Wrap x 3



**H12** - Snap Fastener x 3



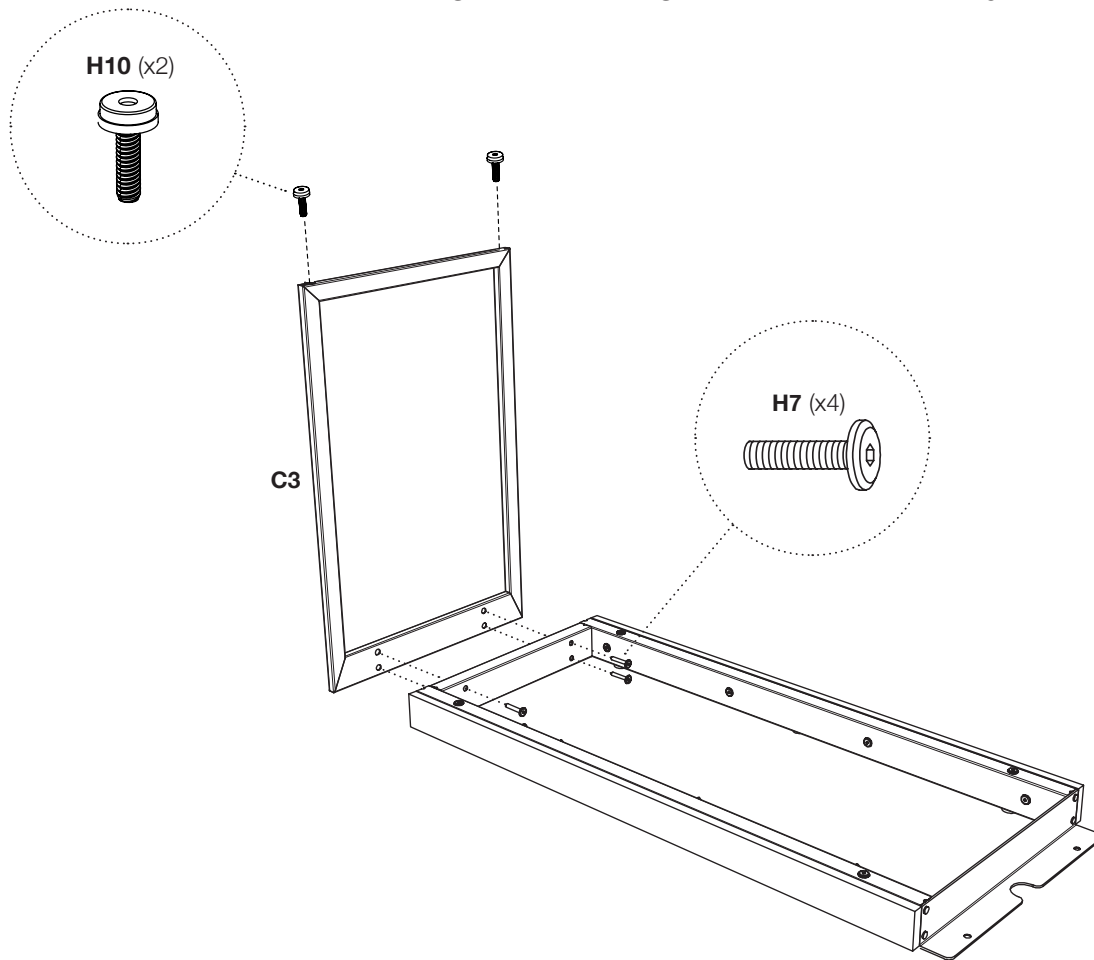
**H13** Bumper x 2



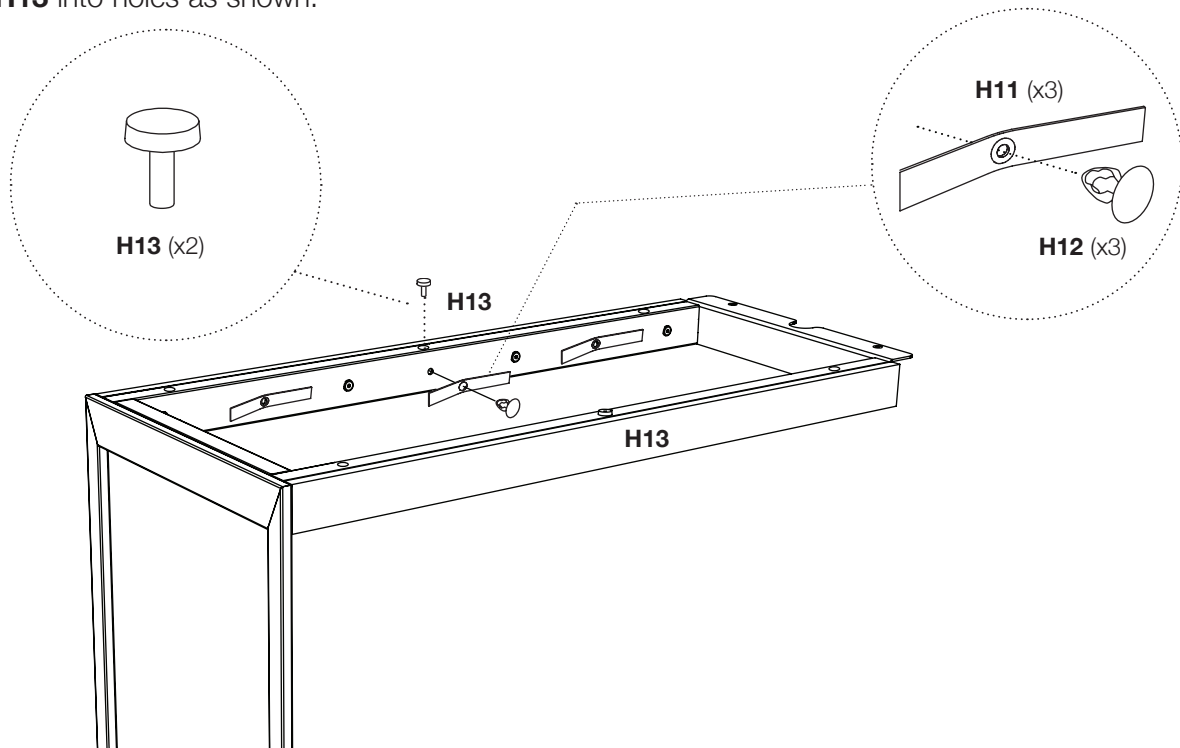
Designed by Matthew Weatherly.

These distinctive product configurations are protected by US and international patents, trade dress, and/or copyright laws. Centro & BDI are trademarks of Becker Designed, Inc. All rights reserved. ©2015, BDI  
Made in Taiwan. 01.08.2016 V1

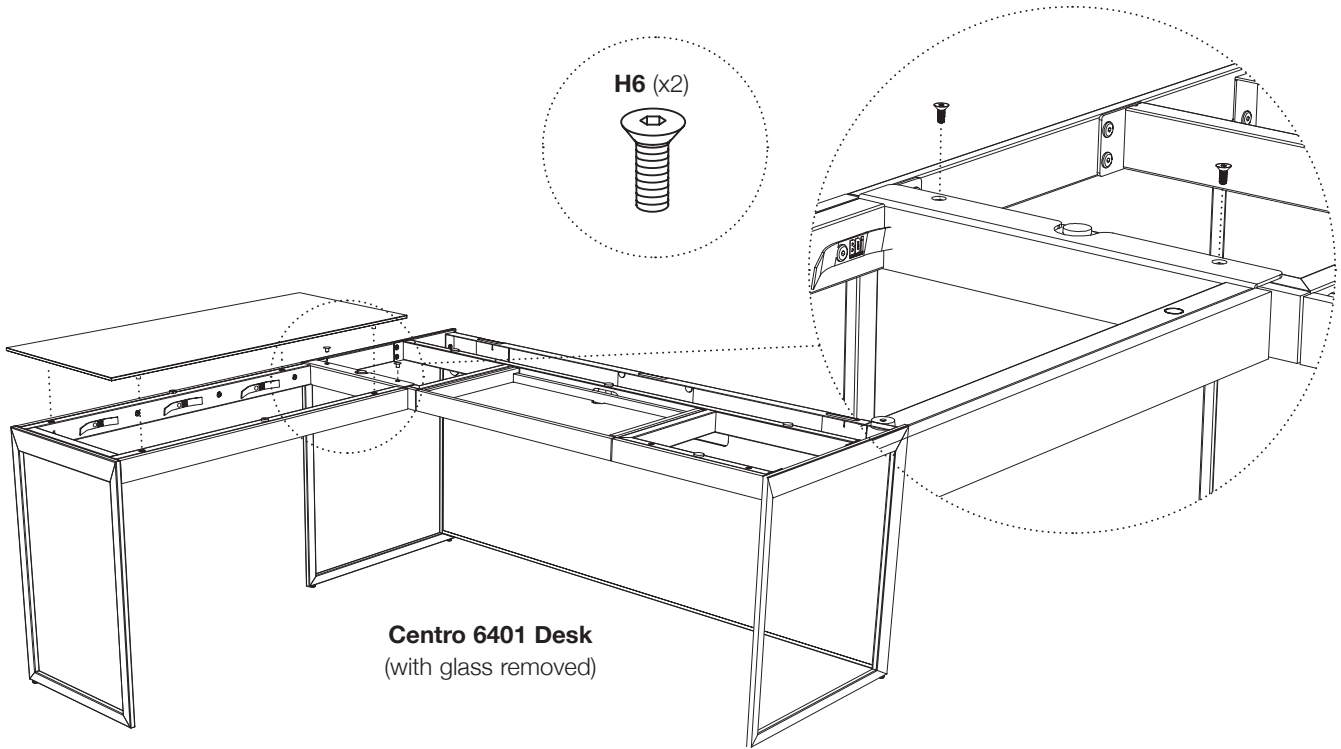
**Step 1 - Install Glides H10 to the bottom of Leg C3. Attach Leg C3 to Frame Assembly C2 with Screws H7.**



**Step 2 - Install BDI Cord Wraps H11 using Snap Fasteners H12 into hole locations as shown. Install Bumpers H13 into holes as shown.**



**Step 3** - Remove glass top from the Centro Desk. Position the **Frame Assembly C2** at the desired end of the Centro Desk. Attach the return to the desk with **Screws H6** using **Hex Wrench**. Carefully place **Glass Panel C1** on top of return.



**Step 4** - Secure **Glass Panel C1** to **Frame Assembly C2** using **Screws H8** and **Hex Wrench**. Do not over tighten.

