



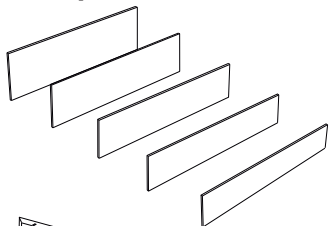
EILEEN & EILEEN BLANC

5156 & 5157

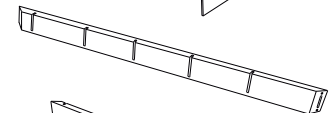
BDIUSA.COM

CUSTOMERSERVICE@BDIUSA.COM

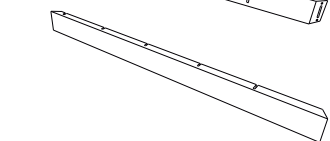
Component List



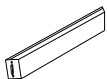
- A1** - Glass Shelf x 1
- A2** - Glass Shelf x 1
- A3** - Glass Shelf x 1
- A4** - Glass Shelf x 1
- A5** - Glass Shelf x 1



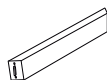
Right Frame x 1



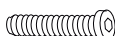
Left Frame x 1



Top Frame x 1



Bottom Frame x 1



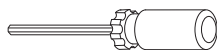
D - Machine Screw x 8



E - Washer x 8



F - Rubber Bumper x 2



G - Hex Drive



H - Leveler x 2

Eileen Shelf is engineered for easy assembly. Carefully follow this procedure to prevent any damage.

Placement and Maintenance

Eileen Shelf is designed for indoor use on level floors. Clean glass with glass cleaner, and steel parts and wood veneer with a moist cloth.

Step 1

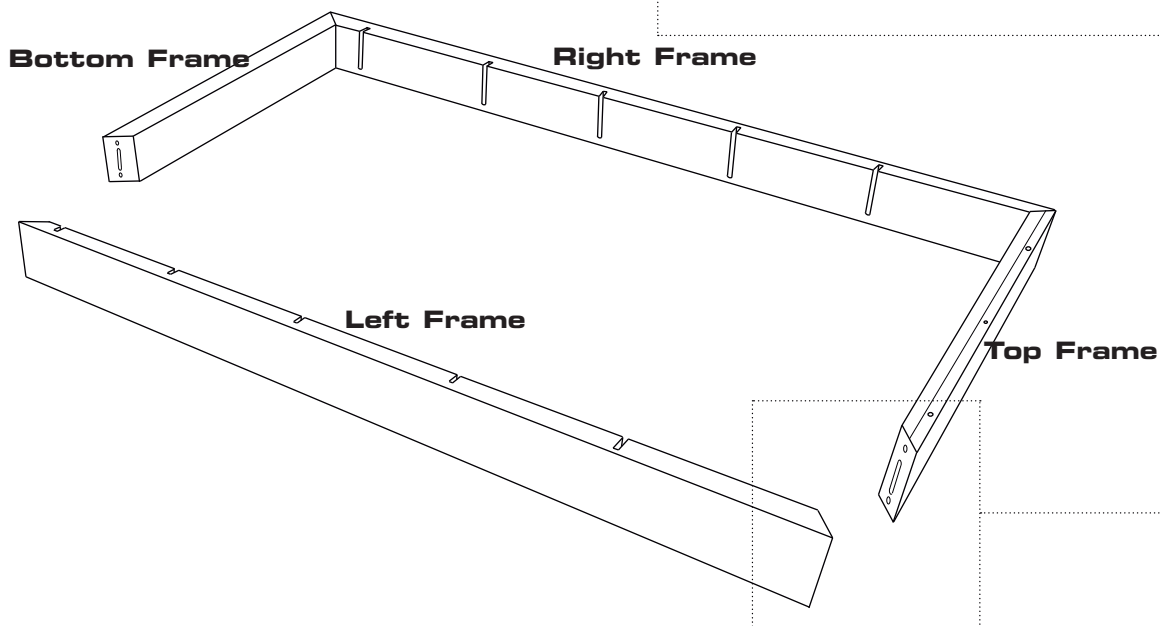
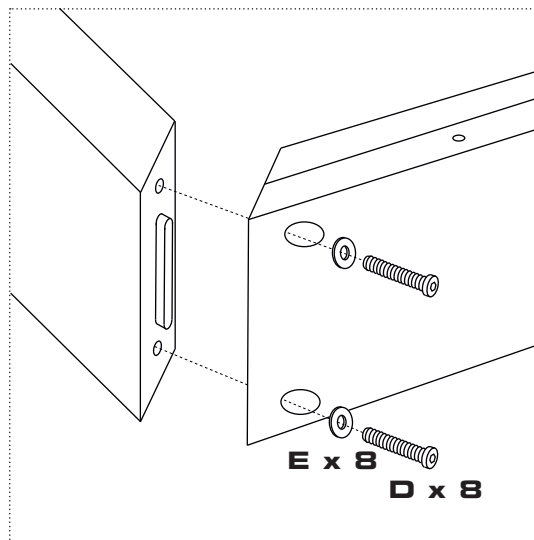
Unpack and Identify

Unpack and identify the components at left. The assembly workspace should be a non-marring surface such as carpet. For missing hardware pieces, please contact BDI Customer Service at customerservice@bdiusa.com. For all other concerns, please contact your BDI Retailer.

Step 2

Assemble wood frame

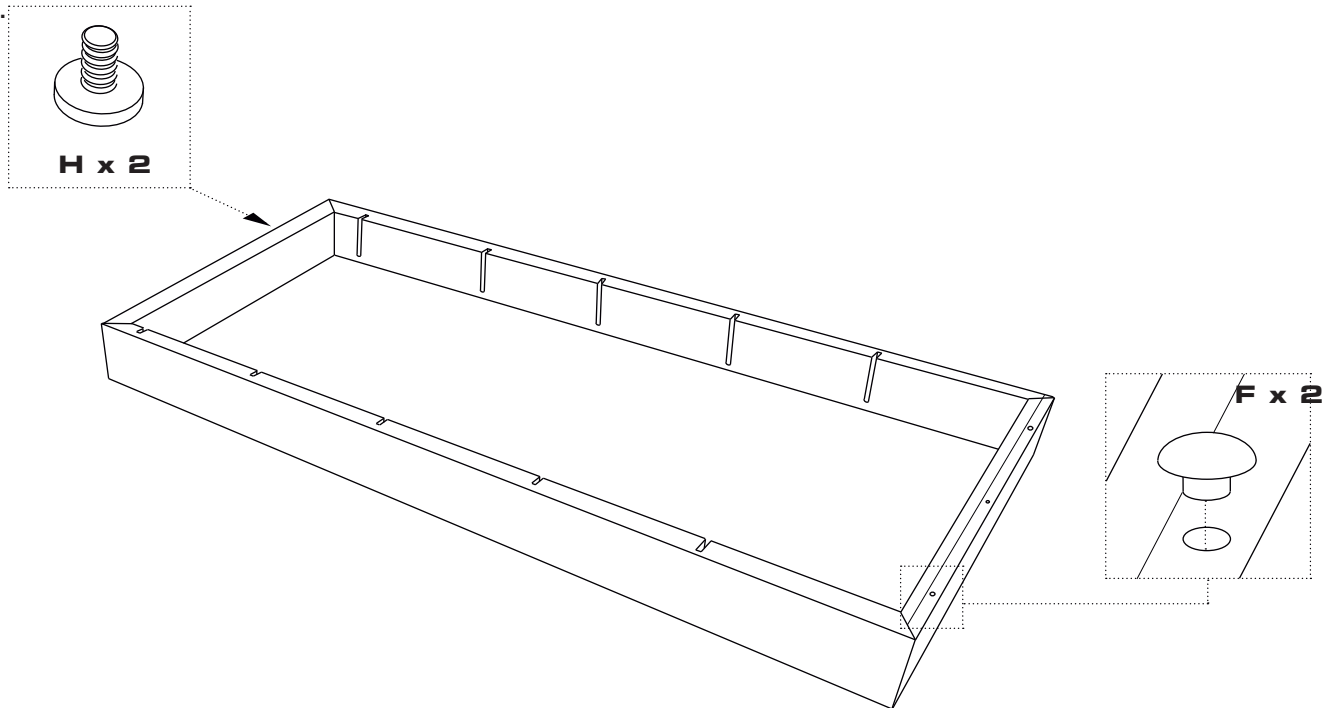
Connect **Left Frame** and **Right Frame** with **Top Frame** and **Bottom Frame** using **Machine Screw (D)**, **Washer (E)** and **Hex Drive (G)**.



Step 3

Install Levelers and Rubber Bumper Inserts

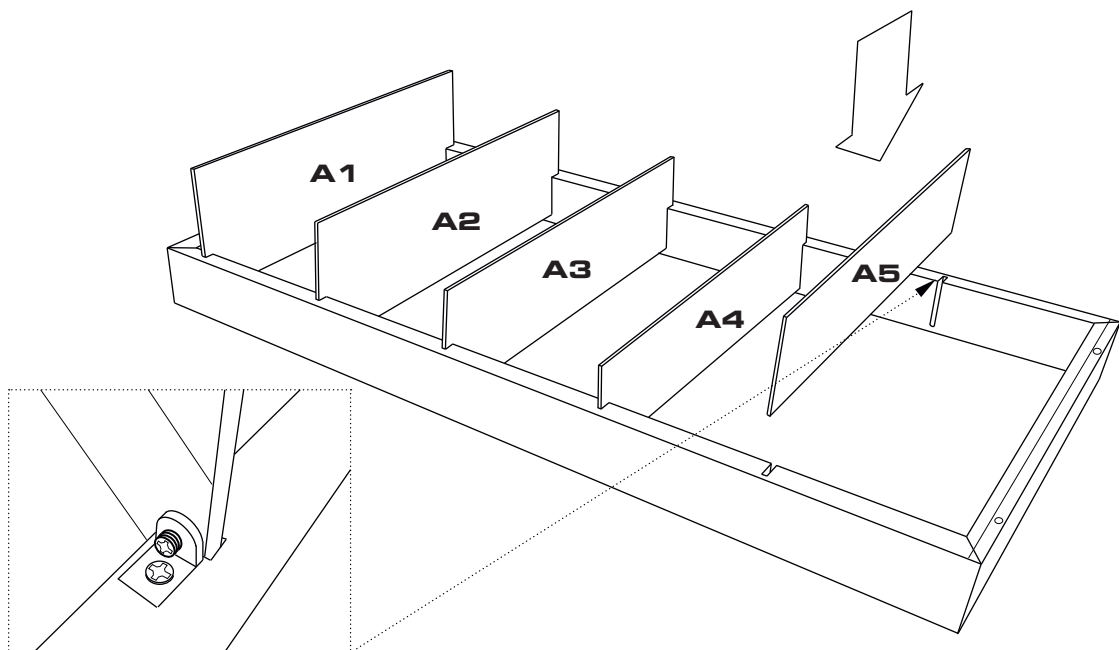
Install **Levelers (H)** and **Rubber Bumper Inserts (F)** as shown below.



Step 4

Install Glass Shelves

Install glass shelves to all slot locations on left frame and right frame.



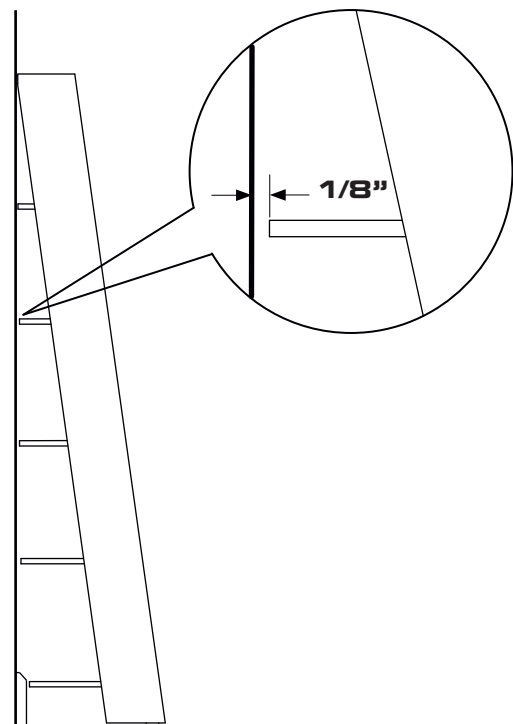
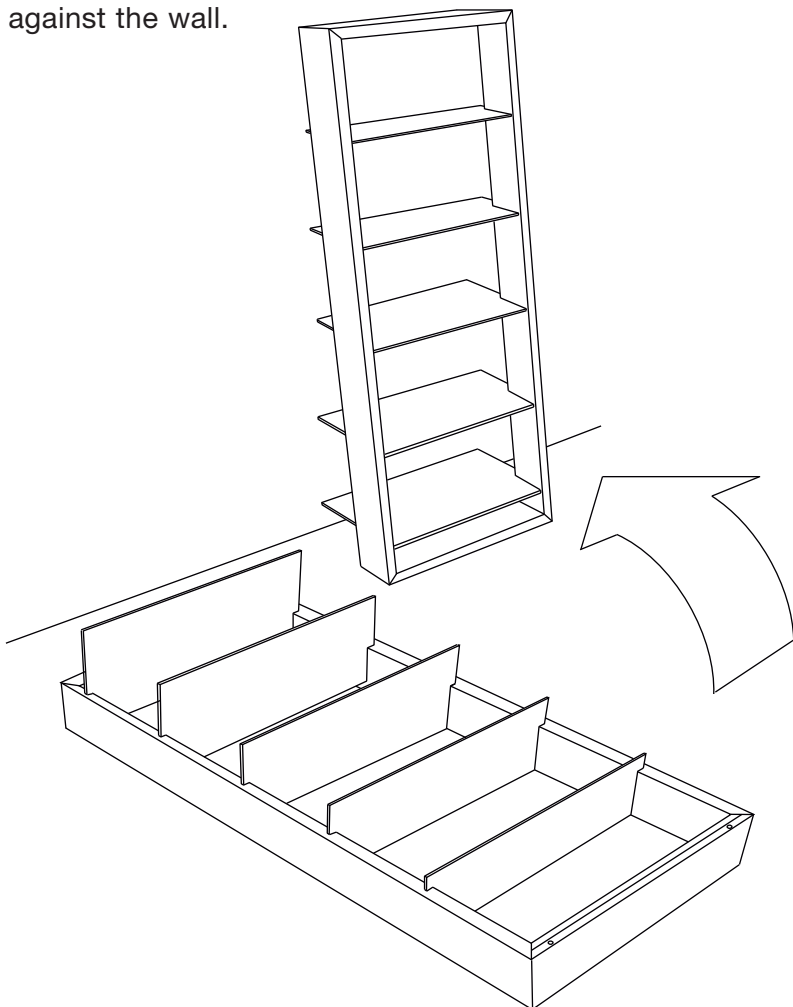
Step 5

Secure Glass Shelves

Once shelves have been installed, tighten the plastic threaded insert on the bottom of shelf bracket using a Phillips screwdriver.

Step 6

Once step 4 and 5 have been completed, lift assembled Eileen against the wall.



Side Elevation

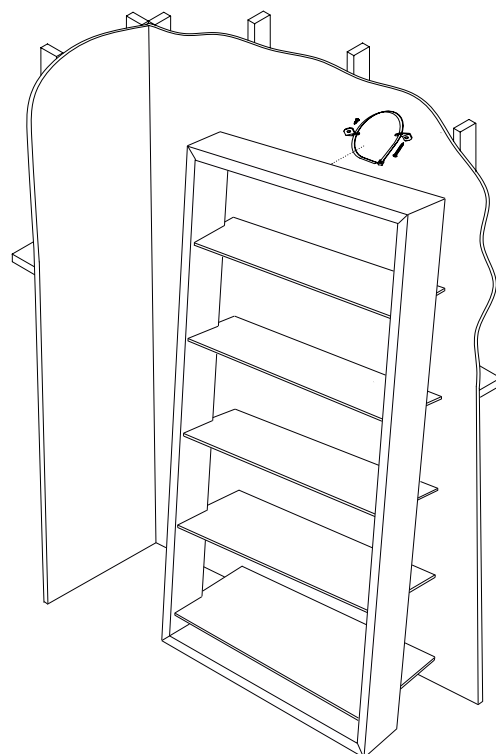
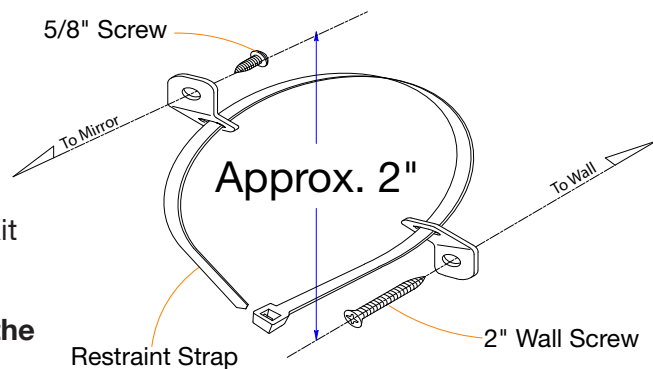
The rear edge of all shelves (except bottom shelf) should be approximately 1/8" from the wall.

Step 6 - Install Tipping Restraint Kit.

On the rear side of the top frame, there is a pre-drilled hole for installing the HH510 Furniture Tipping Restraint Kit (included).

This tip restraint must be attached to a wall stud using the 2" screw enclosed.

1. Attach a **bracket** to the back top rail or back top edge of the shelf using the 5/8" screw provided, through the smaller hole in the bracket.
2. Determine where the shelf is to be placed and mark location on the wall over a wall stud for the wall bracket hole approximately 2" below the mounting bracket secured to the back of your shelf. Attach to the wall stud, using the 2" screw provided, through the smaller hole.
3. Place the shelf into position so both mounting brackets are vertically in line.
4. Lace the end of the **restraint strap** through the larger hole in each bracket. Bring both ends together and slide the flat end through the locking end and draw it through until all slack is removed.
5. Confirm that strap is securely laced and locked.



*Note HH-510 Furniture Tipping Restraint Kit is supplied by Walter of Wabash. For further information, visit www.walterofwabash.com